

MAGNAVOX

PORTABLE SPEAKER with Color Changing Lights and Bluetooth® Wireless Technology

OWNER'S MANUAL

THIS DEVICE COMPLIES WITH PART 15 OF THE FCC RULES. OPERATION IS SUBJECT TO THE FOLLOWING TWO CONDITIONS: (1) THIS DEVICE MAY NOT CAUSE HARMFUL INTERFERENCE, AND (2) THIS DEVICE MUST ACCEPT ANY INTERFERENCE RECEIVED, INCLUDING INTERFERENCE THAT MAY CAUSE UNDESIRABLE OPERATION.

For customer service
e-mail: service@craigelectronics.com
Manufactured Date: DEC 2016

PLEASE READ BEFORE OPERATING THIS EQUIPMENT.

MODEL: MMA3645

FCC NOTICE:

This equipment has been tested and found to comply with the limits for a Class B digital device, pursuant to Part 15 of the FCC Rules. These limits are designed to provide reasonable protection against harmful interference in a residential installation. This equipment generates, uses and can radiate radio frequency energy and, if not installed and used in accordance with the instructions, may cause harmful interference to radio communications. However, there is no guarantee that interference will not occur in a particular installation. If this equipment does cause harmful interference to radio or television reception, which can be determined by turning the equipment off and on, the user is encouraged to try to correct the interference by one or more of the following measures:

- Reorient or relocate the receiving antenna.
- Increase the separation between the equipment and receiver.
- Connect the equipment into an outlet on a circuit different from that to which the receiver is connected.
- Consult the dealer or an experienced radio/TV technician for help.

FCC STATEMENT:

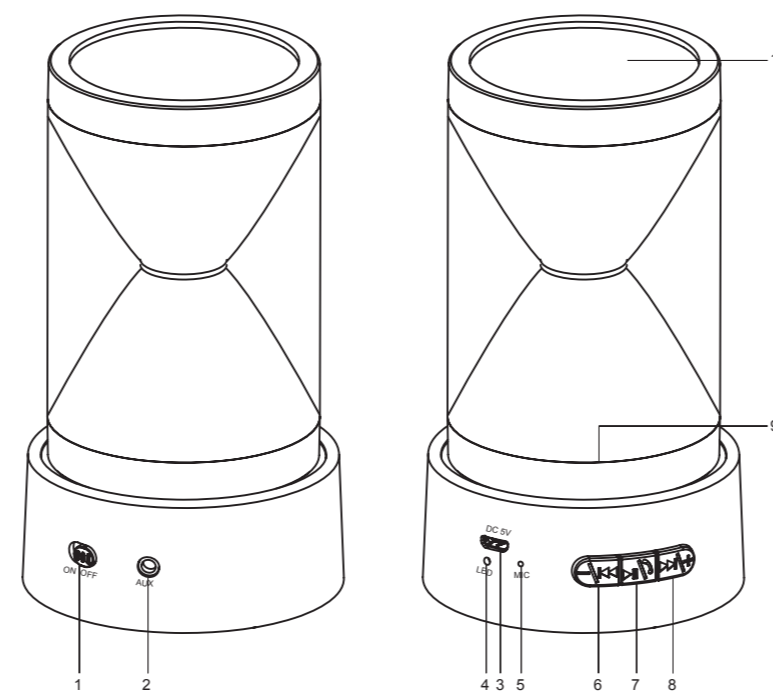
This device complies with part 15 of the FCC Rules. Operation is subject to the following two conditions:

- (1) This device may not cause harmful interference, and
- (2) This device must accept any interference received, including interference that may cause undesired operation. The antenna(s) used for this transmitter must be installed to provide a separation distance of at least 20 cm from all persons and must not be co-located or operating in conjunction with any other antenna or transmitter.

FCC WARNING:

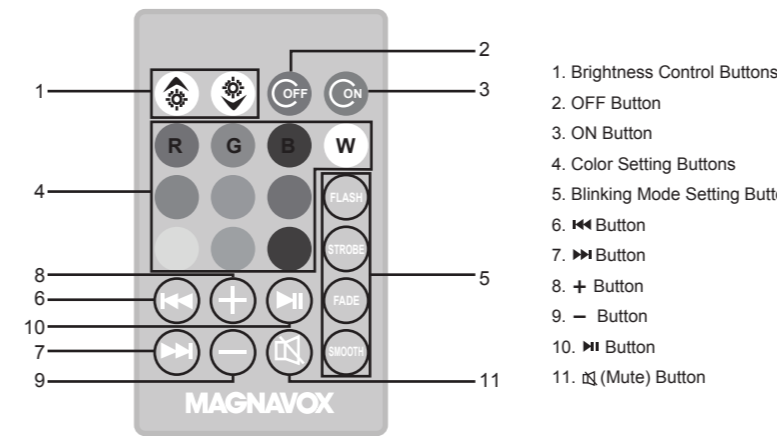
To assure continued operation, follow the attached installation instructions and use only shield cables when connecting to other devices. Changes or modifications not expressly approved by the party responsible for compliance could void the user's authority to operate the equipment.

LOCATION OF CONTROLS



1. Power ON/OFF Switch
2. AUX (in) Jack
3. DC 5V (in) Jack (USB Port, for recharge only)
4. LED Indicators
5. MIC (Built-in Microphone)
6. Mute Button
7. Volume Up Button
8. Volume Down Button
9. Decorative Lights
10. Speaker

LOCATION OF CONTROLS- REMOTE CONTROL

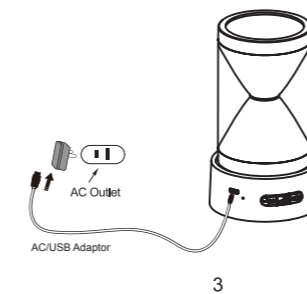


POWER SOURCE

Main Unit:

The unit has a built in Li-ion rechargeable battery, recharge it before use or when it is drained as follows:

1. Connect the Micro USB Plug from the supplied USB Connection Cable to the DC 5V (in) Jack (Micro USB Port) on the unit.
2. Connect the full sized USB Plug from the supplied USB Connection Cable to the USB Port on Computer or USB Charger (Not included). Charging will automatically start.
 - During charging, the Red LED indicator on unit will illuminate. When finished, it will turn off.
 - During charging, you can also play and listen music at the same time.



Notes:

- Your battery will last longer if you're following these simple guidelines for charging and storing.
- A. Before first time use, charge it approximately 4 hours until the unit is fully charged.
- B. Recharge and store the unit within the temperature range of 5°C-35°C (40°F-95°F).
- C. Do not charge longer than 24 hours. Excessive charging or running the unit until battery fully drains will damage battery. Battery life will be extended if you keep the battery fully charged.
- D. Battery life naturally shortens slowly over time.
- E. The rechargeable battery incorporated in this product is not user replaceable.

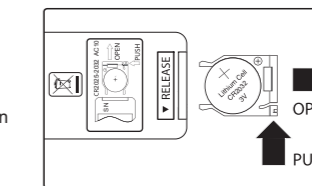
Remote Control:

- First time use:

Remove and discard the insulation film as shown in the figure below:



- Replacing the button cell when it is consumed:
 1. Push and slide out the battery holder as shown in the figure to the right.
 2. Replace the button cell with a new CR2032 button cell as the polarity markings on the rear of the Remote Control.
 3. Close the battery holder.



BATTERY PRECAUTIONS:

Follow these Battery Precaution when using a battery in this device:

1. Use only the size and type of battery specified.
2. Be sure to follow the correct polarity when installing the battery as indicated in the battery compartment. A reversed battery may cause damage to the device.
3. Do not mix different types of batteries together (e.g. Alkaline and Carbon-zinc) or old batteries with fresh ones.
4. If the batteries in the device are consumed or the device is not to be used for a long period of time, remove the batteries to prevent damage or injury from possible battery leakage.
5. Do not try to recharge the battery not intended to be recharged; it can overheat and rupture. (Follow battery manufacturer's instructions.)
6. Do not dispose of battery in fire. Battery may explode or leak.
7. Clean the battery contacts and also those of the device prior to battery installation.
8. ⚠ This product contains a coin/button cell battery. If the coin/button cell battery is swallowed, it can cause severe internal burn in just 2 hours and can lead to death. Keep new and used batteries away from children. If the battery compartment does not close securely, stop using the product and keep it away from children. If you think batteries might have been swallowed or placed inside any part of the body, seek immediate medical attention.

LIMITED WARRANTY

Craig Electronics warrants this product to be free from manufacturing defects in material and workmanship under normal use for a period of 180 days from date of purchase. If service is required, please return the product to the store where it was purchased for exchange; or, contact our customer service team for a return label. Once all valid warranty documentation is collected, pack the unit in the original packing material with all accessories if applicable and copy of your sales receipt. For consumers in Canada, please make sure that the cashier check or money order is redeemable through a U.S. bank. Ship your product freight pre-paid. Your unit will be repaired, replaced or if the unit can not be repaired or replaced, a refund will be forwarded to you within four weeks of receipt of your unit. Please ship your unit to:

Craig Electronics Inc.
1160 NW 163 Drive
Miami, FL 33169

This warranty is void if the product has been: a) Used in a commercial application or rental. b) Damaged through misuse, negligence, or abuse. c) Modified or repaired by anyone other than an authorized Craig service center. d) Damaged because it is improperly connected to any other equipment.

Note: This warranty does not cover: a) Ordinary adjustments as outlined in the Owner's Manual which can be performed by the customer. b) Damage to equipment not properly connected to the product. c) Any cost incurred in shipping the product for repair. d) Damage to the product not used in the USA.

This warranty is not transferable and only applies to the original purchase. Any implied warranties, including the warranty of merchantability, are limited in duration to the period of this expressed warranty and no warranty whether expressed or implied shall apply to the product thereafter.

Under no circumstance shall Craig be liable for any loss or consequential damage arising out of the use of this product. This warranty gives specific legal rights. However, you may have other rights which may vary from state to state. Some states do not allow limitations on implied warranties or exclusion of consequential damage. Therefore, these restrictions may not apply to you.

This product has been manufactured by and is sold under the responsibility of Craig Electronics Inc. and Craig Electronics Inc. is the warrantor in relation to this product. MAGNAVOX and SMART. VERY SMART are registered trademarks of Koninklijke Philips N.V. and are used under license from Koninklijke Philips N.V.

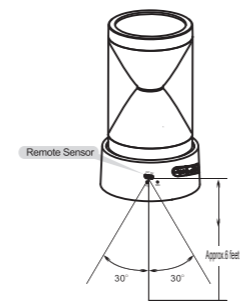
To Obtain Service on your Product
email: service@craigelectronics.com

Printed in China

MMA3645_WC_EOFF1_B0US

EFFECTIVE DISTANCE OF REMOTE CONTROL

- When there is an obstacle between the unit and the transmitter, the transmitter may not operate.
- When direct sunlight, an incandescent lamp, fluorescent lamp or any other strong light shines on the REMOTE SENSOR of the unit, the remote operation may be unstable.



OPERATION

BT (Bluetooth) pairing:

First time use or re-pairing the unit to a new BT Device, pair as follows:

1. Power on the unit by sliding the Power ON/OFF Switch to ON position. The unit will enter to BT (Bluetooth) mode automatically. (The Blue LED Indicator will illuminate and blink.)
2. Power on the external BT Device and enter to BT searching mode. Start pairing following the on screen instructions from the external BT Device. After paired, the unit will sound a prompt tone and the Blue LED Indicator will stop blinking.
3. If pairing is complete you may now play music and answer calls with your external BT Device.
4. During playback:
 - Press the Volume Up Button on the unit or press the Volume Up Button on the Remote Control to pause, press again to resume normal playback.
 - Press the Mute (Mute) Buttons on the Remote Control to mute the sound, press again to turn the sound back.
 - Press and holding the Mute or Mute Buttons on the unit or press the Mute Buttons on the Remote Control to adjust volume level as desired.
 - Press the Mute or Mute Buttons on the unit or the Mute Buttons on the Remote Control repeatedly to skip tracks.
5. If the unit is paired to a Cell Phone and a call is incoming during an active music session, press the Volume Up Button on the unit or the Volume Up Button on the Remote Control to pause the music playback then speak to the built-in microphone to answer the call. When your call is complete, press the button again to disconnect or end the call and resume to music playback.
6. When finished listening, sliding the Power ON/OFF Switch to OFF position to shut off the unit.

Notes:

- When the external BT Device searched the unit, our model number "MMA3645" will appear on the display of external BT Device.
- If while pairing you are asked for a code, please try "0000" or "1234".

Normal operation after pairing:

1. Power on the unit by sliding the Power ON/OFF Switch to ON position. The unit will enter to BT (Bluetooth) mode automatically. (The Blue Indicator will illuminate and blink.)
2. Wait a few seconds until the unit is automatically paired to the external BT Device. (The Blue Indicator will stop blinking.)
3. After pairing is complete you may now play music and answer calls with your external BT Device.

AUX (in):

To listen from an external Audio Player such as a MP3 Player, Discman ...etc.

1. Connect one end of the supplied Audio Connection Cable to the AUX Out/Line Out/Phone Jack on the external Audio Player.
2. In power on mode, connect the other end of the cable to the AUX (in) Jack as the figure on the right. The unit will turn to AUX (in) mode automatically.
3. Play the music on the connected Player as usual. (Make sure the volume level of the connected Audio Player is turned to high level.)
4. During playback:
 - Press the Volume Up Button on the unit or the Volume Up Button on the Remote Control to mute the sound, press again to turn the sound back.
 - Press and holding the Mute or Mute Buttons on the unit or press the Mute Buttons on the Remote Control to adjust volume level as desired.
5. When no longer in use, sliding the Power ON/OFF Switch to OFF position to shut off the unit.



Note:

If the Audio Connection Cable was plugged into the AUX (in) Jack, the Bluetooth function will auto cut. Unplug the Cable from the AUX (in) Jack before use Bluetooth function.

Decorative Lights:

When Power on the unit by sliding the Power ON/OFF Switch to ON position, the decorative lights will illuminate and blink. Then:

- Turn ON/OFF: Press the OFF Button on the Remote Control to turn it off. Press the ON Button to turn it on.
- Bright level settings: Press the OFF Button on the Remote Control to turn it off. Press the ON Button to turn it on.
- Color settings: Press either one of Color Setting Buttons (Total 10 color selection buttons) on the Remote Control to set or reset the color of it as desired.
- Blinking mode settings: Press either one of Blinking Mode Selection Buttons (Total 4 modes selection buttons) on the Remote Control to set or reset the blinking mode of it as desired.

TROUBLESHOOTING

Check the following before requesting service:

SYMPTOM	POSSIBLE CAUSE	POSSIBLE SOLUTION
Can't power on	Built in battery drained	Recharge the built-in battery as page 3
Remote Control not function	Button cell drained	Replace the button cell by a new CR 2032 or CR 2032 button cell as page 4
No sound or sound weak	The distance between the Remote Control and unit too far	Operation the Remote Control within 30 feet
	Volume of the unit was set to minimum position	Increase the volume by press and holding the Volume Up Button on the unit or press the Volume Up Button on the Remote Control
Sound distortion	Volume level of paired/connected device is in low level	Rise the volume level of the paired/connected device
	Volume level too high	Reduce the volume level by press and holding the Volume Down Button on the unit or press the Volume Down Button on the Remote Control
BT not functioning	Volume level of the connected/paired device too high	Reduce the volume level of the connected/paired device
	The external BT Device had NOT paired to the unit	Pair the external BT Device to the unit as page 5 & 6
	The external BT device too far from the unit	Place the external BT device close to the unit.

SPECIFICATIONS

Power source:.....Built-in DC 3.7V, 1000mAh (3.7WH) rechargeable Li-ion Battery, Recharge by DC 5V through DC 5V (in) Jack (Micro USB Port)
Impedance of the speakers:.....3W, 4ohm
Audio power:.....1.5W RMS
BT Version:.....4.0
BT Operation Distance:.....32 Feet in opera area

PACKAGE INCLUDES:

- 1 x User's Manual
- 1 x Remote Control (Uses 1 x CR2032 button cell, included)
- 1 x USB Connection Cable (For charging only)
- 1 x Audio Connection Cables with 3.5mm Plugs

MAINTENANCE

1. Do not clean the Acrylic column with organic solvents such as ethyl alcohol, ether or thinner and so on.
2. Do not use harsh or abrasive cleaning agents or solvents.
3. Do not attempt to disassemble your product.
4. Do not paint your product.
5. Do not drop, throw or try to bend your product.
6. Do not expose your product to open flames.

SPECIFICATIONS AND ACCESSORIES ARE SUBJECT TO CHANGE WITHOUT NOTICE

背面