

MAGNAVOX

**1.8 INCH
DUAL ALARM CLOCK
DIGITAL FM RADIO**

with Wireless charging Technology

OWNER'S MANUAL

PLEASE READ BEFORE OPERATING THIS EQUIPMENT.

MODEL: MR41807

Size: 148.5(W) x 210(H)mm (A5)

IMPORTANT SAFETY INSTRUCTIONS



CAUTION

**RISK OF ELECTRIC SHOCK
DO NOT OPEN**



CAUTION: TO REDUCE THE ELECTRIC SHOCK, DO NOT REMOVE THE COVER (OR BACK). NO USER SERVICEABLE PART INSIDE, REFER SERVICING TO QUALIFIED SERVICE PERSONNEL.



DANGEROUS VOLTAGE: The lightning flash with arrowhead symbol within an equilateral triangle is intended to alert the user to the presence of uninsulated “dangerous voltage” within the product’s enclosure that may be of sufficient magnitude to constitute a risk of electric shock to persons.



ATTENTION: The exclamation point within an equilateral triangle is intended to alert the user to the presence of important operating and maintenance (servicing) instructions in the literature accompanying the appliance.

WARNING: TO PREVENT FIRE OR SHOCK HAZARD, DO NOT EXPOSE THIS UNIT TO RAIN OR MOISTURE.

FCC NOTICE:

This equipment has been tested and found to comply with the limits for a Class B digital device, pursuant to Part 15 of the FCC Rules. These limits are designed to provide reasonable protection against harmful interference in a residential installation. This equipment generates, uses

and can radiate radio frequency energy and, if not installed and used in accordance with the instructions, may cause harmful interference to radio communications. However, there is no guarantee that interference will not occur in a particular installation. If this equipment does cause harmful interference to radio or television reception, which can be determined by turning the equipment off and on, the user is encouraged to try to correct the interference by one or more of the following measures:

- Reorient or relocate the receiving antenna.
- Increase the separation between the equipment and receiver.
- Connect the equipment into an outlet on a circuit different from that to which the receiver is connected.
- Consult the dealer or an experienced radio/TV technician for help.

FCC WARNING:

This equipment may generate or use radio frequency energy. Changes or modifications to this equipment may cause harmful interference unless the modifications are expressly approved in the instruction manual. Modifications not authorized by the manufacturer may void user's authority to operate this device.

IMPORTANT SAFETY INSTRUCTIONS

Before using the unit, be sure to read all operating instruction carefully, please note that these are general precautions and may not pertain to your unit. For example, this unit may not have the capability to be connected to an outdoor antenna.

1. Read these instructions

All the safety and operating instructions should be read before the appliance is operated.

2. Keep these instructions

The safety and operating instructions should be kept for future reference.

3. Heed all warnings

All warnings on the appliance and in the operating instructions should be adhered to.

4. Follow all instructions

All operation and use instructions should be followed.

5. Do not use this apparatus near water

The appliance should not be used near water; for example, near a bath tub, washbowl, kitchen sink, laundry tub, in a wet basement, or near a swimming pool.

6. Clean only with dry cloth

The appliance should be cleaned only as recommended by the manufacturer.

7. Do not block any ventilation openings. Install in accordance with the manufacturer's instructions.

Slots and openings in the cabinet and in the back or bottom are provided for ventilation, to ensure reliable operation of the product and to protect it from overheating. These openings must not be blocked or covered. The openings should never be blocked by placing the product on a bed, sofa, rug, or similar surface. This product should never be placed near or over a radiator or heat source. This product should not be placed in a built-in installation, such as a bookcase or rack unless proper ventilation is provided or the manufacturer's instructions have been adhered to.

8. Do not install near any heat sources such as radiators, heat registers, stoves, or other apparatus (including amplifiers) that produce heat.

9. Do not defeat the safety purpose of the polarized or grounding-type plug.

A polarized plug has two blades with one wider than the other. A grounding type plug has two blades and a third grounding prong. The wide or the third prong are provided for your safety. If the provided plug does not fit into your outlet, consult an electrician for replacement of the obsolete outlet.

10. **Product the power cord from being walked on or pinched particularly at plugs, convenience receptacles, and the point where they exit from the apparatus.**

11. **Only use attachments / accessories specified by the manufacturer.**

12. **Use only with a cart, stand, tripod, bracket, or table specified by the manufacturer, or sold with the apparatus.**

When a cart is used, use caution when moving the cart/apparatus combination to avoid injury from tip-over.



An appliance and cart combination should be moved with care. Quick stop, excessive force and uneven surfaces may cause the appliance and cart combination to overturn.

13. **Unplug this apparatus during lightning storms or when unused for long periods of time.**

To protect your product from a lightning storm, or when it is left unattended and unused for long periods of time, unplug it from the wall outlet and disconnect the antenna or cable system. This will prevent damage to the product due to lightning and power-line surges.

14. **Refer all servicing to qualified service personnel. Servicing is required when the apparatus has been damaged in any way, such as power-supply cord or plug is damaged, liquid has been spilled or objects have fallen into the apparatus, the apparatus has been exposed to rain or moisture, does not operate normally, or has been dropped.**

15. **Power source**

This product should be operated only from the type of power source indicated on the marking label. If you are not sure of the type of power supply to your home, consult your appliance dealer or local power company. For products intended to operate from battery power, or other source, refer to the operation instructions.

16. **Power lines**

An outside antenna system should not be located in the vicinity of overhead power lines or other electric light or power circuits, or where it can fall into such power lines or circuits. When installing an outside antenna system, extreme care should be taken to keep from

touching such power lines or circuits as contact with them might be fatal.

17. Overloading

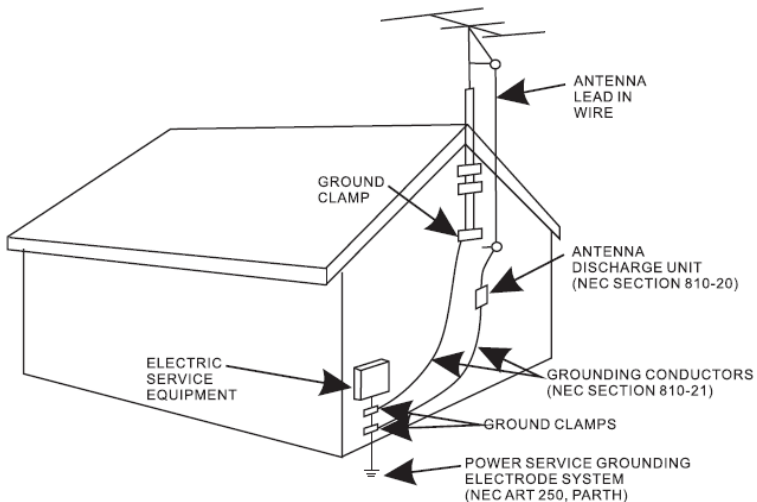
Do not overload wall outlets and extension cords as this can result in a risk of fire or electric shock.

18. Object and liquid entry

Never push objects of any kind into the product through openings as they may touch dangerous voltage points or short out parts that could result in fire or electric shock. Never spill or spray any type of liquid on the product.

19. Outdoor antenna grounding

If an outside antenna is connected to the product, be sure the antenna system is grounded so as to provide some protection against voltage surges and built up static charges. Section 810 of the National Electric Code ANSI/ NFPA 70 provides information with respect to proper grounding of the mast and supporting structure, grounding of the lead- in wire to an antenna discharge product, size of grounding conductors, location of antenna- discharge product, connection to grounding electrodes and requirements for the grounding electrodes.



20. Service

Do not attempt to service this product yourself as opening or removing covers may expose you to dangerous voltage or other hazards. Refer all servicing to qualified service personnel.

21. Replacement parts

When replacement parts are required, be sure the service technician uses replacement parts specified by the manufacturer or those that have the same characteristics as the original parts. Unauthorized substitutions may result in fire or electric shock or other hazards.

22. Safety check

Upon completion of any service or repairs to this product, ask the service technician to perform safety checks to determine that the product is in proper operating condition.

23. Wall or ceiling mounting

The product should be mounted to a wall or ceiling only as recommended by the manufacturer.

24. Damage requiring service

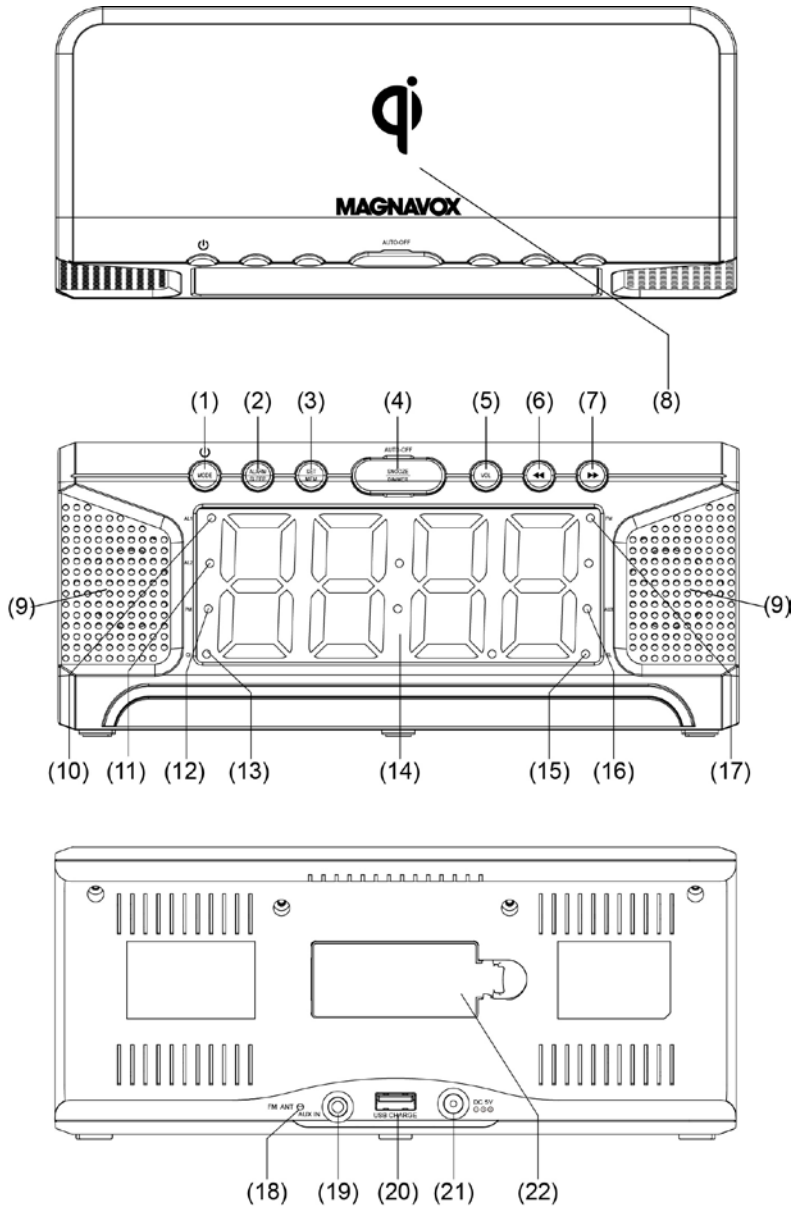
- A. Unplug this product from the wall outlet and refer service to qualified service personnel under the following conditions.
- B. When the power- supply cord or plug is damaged.
- C. If liquid has been spilled or objects have fallen into the product.
- D. If the product has been exposed to rain or water.
- E. If the product does not operate normally by following the operating instructions. Adjust only those controls that are covered by the operating instructions, as an adjustment of other controls may result in damage and will require extensive work by a qualified technician to restore the product to its normal operation.
- F. If the product has been dropped or the cabinet has been damaged.
- G. When the product exhibits a distinct change in performance- this indicates a need for service.




25. Note to CATV system installer

This reminder is provided to call the CATV system installer' s attention to Article 820- 40 of the NEC that provides guidelines for proper grounding and, in particular, specifies that the cable ground shall be connected to the grounding system of the building, as close to the point of cable entry as practical.

NOTE: Refer all servicing to qualified service personnel. Servicing is required when the unit has been damaged in any way such as the following: the power-supply cord or plug has been damaged, liquid has been spilled into unit, the unit has been exposed to rain or moisture, the unit has been dropped or the unit does not operate normally.

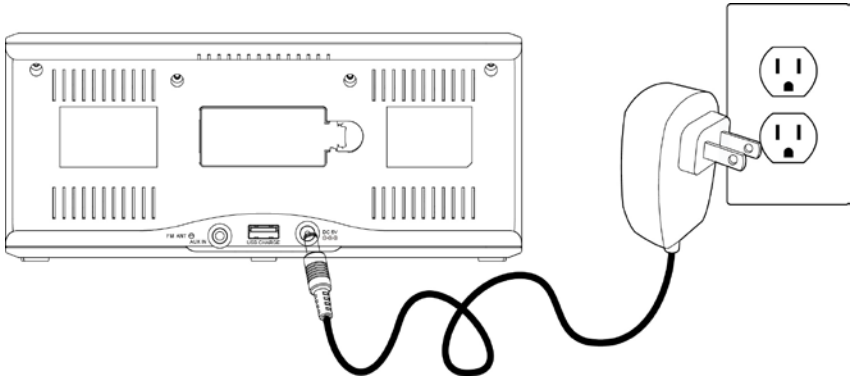
LOCATION OF CONTROLS:



1.  (Standby) / MODE Button
2. ALARM/SLEEP Button
3. SET/MEM (Memory) Button
4. SNOOZE/DIMMER Button
5. VOL (Volume) Button
6.  Button
7.  Button
8. QI (Wireless Charging) Area
9. Speakers
10. AL 1 (Alarm 1) Indicator
11. AL 2 (Alarm 2) Indicator
12. PM Indicator
13. QI (Wireless Charging) Indicator
14. LED Display
15. SL (Sleep) Indicator
16. AUX Indicator
17. FM Indicator
18. FM Antenna Wire
19. AUX IN Jack
20. USB CHARGE Port
21. DC 5V (In) Jack
22. Battery Door

POWER SOURCE

Connect the small plug from the supplied AC/DC Adaptor to the DC 5V (In) Jack on the rear of unit. Connect the AC/DC Adaptor into any convenient household outlet has AC 100-240V, 50/60Hz as the illustrated below:



NOTES:

If the AC power fails, this electronic clock is designed to continue operating internally (without showing the time on the Clock Display) with two (2) AAA size batteries (not included). Install the batteries as follows:

- Open the battery door on the rear of the unit by press the tab and then lifting it.
- Insert two (2) AAA size batteries (not included) according to the polarity diagram inside the battery compartment. (Alkaline batteries are recommended.)
- Replace the battery door.

BATTERY PRECAUTIONS:

Follow these precautions when using a battery in this device:

1. Use only the size and type of battery specified.

2. Be sure to follow the correct polarity when installing the battery as indicated in the battery compartment. A reversed battery may cause damage to the device.
3. Do not mix different types of batteries together (e.g. Alkaline and Carbon-zinc) or old batteries with fresh ones.
4. If the batteries in the device are consumed or the device is not to be used for a long period of time, remove the batteries to prevent damage or injury from possible battery leakage.
5. Do not try to recharge the battery not intended to be recharged; it can overheat and rupture. (Follow battery manufacturer's instructions.)
6. Do not dispose of battery in fire. Battery may explode or leak.
7. Clean the battery contacts and also those of the device prior to battery installation.

OPERATION

ACTUAL TIME SETTINGS:

To set or reset the actual time:

1. Connect the unit to AC power as previous procedure. The LED Display will illuminate.
2. Press the **SET/MEM** Button, the digit of hour on the display will blink. Press the **◀** or **▶** Buttons repeatedly to set hour.
3. Press the **SET/MEM** Button twice; the digit of minute will blink. Press the **◀** or **▶** Buttons repeatedly to set minute.
4. Press the **SET/MEM** Button three times; “12H” or “24H” will appear on the display. Press the **◀** or **▶** Buttons repeatedly to set the format of hour to 12 hours or 24 hours (Military type) as desired.

IMPORTANT:


If set to 12 hour format. When set the time to PM, make sure the PM Indicator on the display is illuminate. When set the time to AM, the PM Indicator is not light.

5. Press the **SET/MEM** Button four times; snooze period “05-60” will appear on the display. Press the **◀** or **▶** Buttons repeatedly to set snooze period as desired.
6. When finished settings, press the **SET/MEM** Button repeatedly until the actual time appear on the display.

RADIO:

To listening radio:

1. In standby mode, press the **⏻/MODE** Button to power on the unit.
2. The **FM** Indicator on the display will illuminate and the radio frequency (**87.5 – 108**) will appear on the display.

3. Press and holding the ◀ or ▶ Buttons until the frequency on the display start running to auto search and play the previous or next available FM station. Repeated the same procedures until the desired FM Station is searched and play.
4. If the reception is not good, press and release the ◀ or ▶ Buttons repeatedly to fine tune.
5. To adjust the volume level, press the **VOL** (Volume) Button. Volume level "L01 – L15" will appear on the display. Press the ◀ or ▶ Buttons repeatedly to set the volume level as desired.
6. When finished listening, pressing and holding the /MODE Button to shut off the radio.

Radio stations preset:

1. Power on the radio and receive the desired radio station as the previously procedure.
2. Press the **SET/MEM** Button, "01 - 20" will appear on the display and blink. Press the ◀ or ▶ Buttons repeatedly to select the program number "01 - 20" you want stored to. Then press the **SET/MEM** Button again to store it.
3. Repeat the same procedures until all the desired radio stations are stored into the program list.
4. After settings, in radio mode. Press the **SET/MEM** Button repeatedly to select and play the desired stored radio station.

Notes:




- If the back up batteries had not installed. When the AC power source failure, the preset stations may erase.
- The stored radio station only can be deleted by storing another new radio station.
- Total 20 FM radio stations can be stored in the program.

Antenna:

The FM Antenna Wire on the rear of unit is for FM reception. If reception is weak, unwind it to full length and/or relocation.

AUX IN

Listen music from the external Audio Player as follows:

1. Connected the external Audio Player by an audio connection cable with 3.5mm stereo plugs (Cable not included).
2. Insert one end to the AUX IN Jack on the rear of unit.
3. Insert the other end to the Phones Jack; Line Out Jack or AUX Out Jack on the external Audio Player.
4. Power on and play the music on the external Audio Player as usual.
5. Press the /MODE Button to power on the unit.
6. Press the /MODE Button repeatedly until the **AUX** Indicator on the display is illuminating and “**AUX**” appear on the display to enter the AUX (in) mode.
7. To adjust the volume level, press the **VOL** (Volume) Button. Volume level “**L01 – L15**” will appear on the display. Press the **◀** or **▶** Buttons repeatedly to set the volume level as desired.
8. When finished listening, press and hold the /MODE Button to shut off it.

ALARM:

Alarm 1 settings:

1. Press the **ALARM/SLEEP** Button once, the **AL 1** (Alarm 1) Indicator on the display will illuminate. The Alarm 1 time will appear on the display and the hour digit will blink. Press the **◀** or **▶** Buttons repeatedly to set the hour of it.
2. Press the **ALARM/SLEEP** Button again, the minute digit will blink. Press the **◀** or **▶** Buttons repeatedly to set the minute.
3. Press the **ALARM/SLEEP** Button again; the alarm 1 status will appear on the display. Press the **◀** or **▶** Buttons repeatedly to activate alarm, turn off alarm and set wake up mode as desired as below:

Wake up mode:	Display or indicators
Buzz	"ON" appear on the display and AL 1 Indicator on display will illuminate
Radio	FM and AL 1 Indicators on display will illuminate
AUX	AUX and AL 1 Indicators on display will illuminate

4. When finished settings, wait a few seconds. The unit will save the settings and exit (showing actual time on the display) automatically.

Alarm 2 settings:

1. Press the **ALARM/SLEEP** Button four times, the **AL 2** (Alarm 2) Indicator on the display will illuminate. The Alarm 2 time will appear on the display and the hour digit will blink. Press the **◀** or **▶** Buttons repeatedly to set the hour of it.
2. Press the **ALARM/SLEEP** Button again, the minute digit will blink. Press the **◀** or **▶** Buttons repeatedly to set the minute.

- Press the **ALARM/SLEEP** Button again; the alarm 2 status will appear on the display. Press the **◀** or **▶** Buttons repeatedly to activate alarm, turn off alarm and set wake up mode as desired as below.

Wake up mode:	Display or indicators
Buzz	"ON" appear on the display and AL 2 Indicator on display will illuminate
Radio	FM and AL 2 Indicators on display will illuminate
AUX	AUX and AL 2 Indicators on display will illuminate

- When finished settings, wait a few seconds. The unit will save the settings and exit (showing actual time on the display) automatically.

Notes:

- If radio was selected as wake up mode, received the desired radio station as previous procedure before activate alarm. Otherwise, when Alarm goes off, no sound output from the speaker or sound weak.
- If AUX (in) was selected as wake up mode, make sure the external player was connected to the unit and it will power on and have audio output at the time of alarm goes off . Otherwise, when alarm goes off, no sound output from the speaker.
- If the display mode was set to 12 hour type. When set the alarm time to PM, make sure the PM Indicator on the display is lit. When set the alarm time to AM, the PM Indicator is not lit.

Shut off alarm:

- When alarm goes off, press the **ALARM/SLEEP** Button to turn off alarm, the alarm will be reset for next day. (The correspondence alarm indicator will keep illuminate).

- To turn off the alarm completely (not reset for next day):
 - Alarm 1: Press the **ALARM/SLEEP** Button three times, the alarm 1 status will appear on the display. Press the **◀** or **▶** Buttons repeatedly until **"OFF"** appear on the display. Wait a few seconds, the unit will save the settings and exit (showing actual time on the display) automatically.

 - Alarm 2: Press the **ALARM/SLEEP** Button six times, the alarm 2 status will appear on the display. Press the **◀** or **▶** Buttons repeatedly until **"OFF"** appear on the display. Wait a few seconds, the unit will save the settings and exit (showing actual time on the display) automatically.

SNOOZE:

The alarm can be temporarily turned off manually by press the **SNOOZE/DIMMER** Button. After press the button during alarm goes off, the correspondence alarm indicator will blink and the alarm will turn back on automatically as the snooze period setting 5-60 minutes. This feature can be repeated until the **ALARM/SLEEP** Button was pressed (The correspondence alarm indicator will stop blinking and the alarm will reset for next day).

SLEEP TIMER:

In Radio or Aux (in) playback mode, pressing and holding the **ALARM/SLEEP** Button until the sleep timer appear on the display to activate the sleep function. The **SL** (Sleep) Indicator on the display will illuminate. Press the **ALARM/SLEEP**

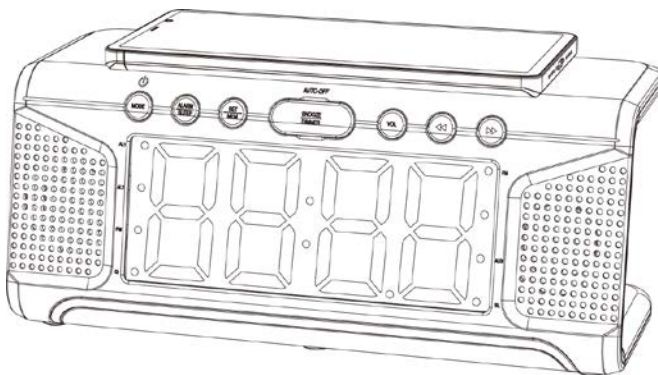
Button repeatedly to set sleep timer to 05 – 90 minutes as desired. To turn off the sleep timer before time up, pressing and holding the **⏻/MODE** Button to shut off.

DIMMER:

Press the **SNOOZE/DIMMER** Button repeatedly to set the brightness level of the display as desired.

BUILT-IN QI WIRELESS CHARGER:

1. Place a supported mobile device on the center of the charging surface on the top of unit as the illustrated below. **Qi** Indicator on the display will illuminate. Charging will start automatically.



2. When finished, remove the mobile device from the unit.

Notes:

- Check the mobile device's battery charging status using the charging icon displayed on the screen.

- Do not place any other object between the mobile device and the Qi wireless charger. The mobile device may not charge properly.
- If you connect a travel adaptor to the mobile device during wireless charging, the wireless charging feature may not be available.

BUILT-IN USB CHARGER:


To charging the external USB Device:

1. Connect the USB Plug from the external USB Device to the USB CHARGER Port on the rear of unit.
2. The charging will auto start.
3. When finished charge, disconnect the external USB Device from the USB CHARGER Port.






Notes

- Check the mobile device's battery charging status using the charging icon displayed on the screen.
- The unit has a built-in overload/overheats protector. If the output of the unit is overload (or short circuit). The charger will auto shut off. Unplug the external USB Device from the USB CHARGER Port. The charge will auto reset.

TROUBLE SHOOTING GUIDE

Symptom	Possible Cause	Solution
Power		
No power	The AC/DC Adaptor had not connect to the unit and AC wall outlet.	Connect the AC/DC Adaptor to the unit and AC wall outlet as page 09-10.
Radio		
No sound	The unit is not in Radio mode.	Press the  /Mode Button to enter to Radio mode.
Noise or sound distorted on radio broadcasts	Station not tuned properly.	Retune the radio station.
	The location not good for radio reception.	Unwind the FM Antenna Wire to full length and/or relocation.
	Volume at minimum.	Increase Volume level.
Alarm		
No alarm	Alarm had not activated.	Set and activate the alarm as page 14-16



GENERAL SPECIFICATIONS

Power Source:	DC  5V, 2000mA, 
Clock back up: included	DC  3V, 2 x AAA size batteries; Not included
Audio Power:	0.5 W per channel (Total 1 W, RMS)
Impedence of Speakers:	8 ohm; 2W
Radio Band Coverage:	87.5 - 108 MHz
Output from USB Charger Port:	DC  5V, 1000mA Maximum
Output from Qi Wireless Charger:	DC  5V, 1000mA Maximum

ACCESSORIES

1 x Owner's Manual

1 x AC/DC Adapter (Input: AC 100-240V~, 50/60Hz, 0.5A;

Output: DC  5V, 2000mA, )

SPECIFICATIONS AND ACCESSORIES ARE SUBJECT TO CHANGE WITHOUT NOTICE

LIMITED WARRANTY

Craig Electronics warrants this product to be free from manufacturing defects in material and workmanship under normal use for a period of 180 days from date of purchase. If service is required, please return the product to the store where it was purchased for exchange; or, pack the unit in the original packing material with all accessories if applicable, a copy of your sales receipt and a Cashier's check or Money Order for \$10 (to cover shipping and handling costs) payable to Craig Electronics Inc. For consumers in Canada, please make sure that the cashier check or money order is redeemable through a U.S. bank. Ship your product freight pre-paid. Your unit will be repaired, replaced or if the unit can not be repaired or replaced, a refund will be forwarded to you within four weeks of receipt of your unit. Please ship your unit to:

Craig Electronics Inc.
1160 NW 163 Drive
Miami, FL 33169

This warranty is void if the product has been: a) Used in a commercial application or rental. b) Damaged through misuse, negligence, or abuse. c) Modified or repaired by anyone other than an authorized Craig service center. d) Damaged because it is improperly connected to any other equipment.

Note: This warranty does not cover: a) Ordinary adjustments as outlined in the Owner's Manual which can be performed by the customer. b) Damage to equipment not properly connected to the product. c) Any cost incurred in shipping the product for repair. d) Damage to the product not used in the USA.

This warranty is not transferable and only applies to the original purchase. Any implied warranties, including the warranty of merchantability, are limited in duration to the period of this expressed warranty and no warranty whether expressed or implied shall apply to the product thereafter.

Under no circumstance shall Craig be liable for any loss or consequential damage arising out of the use of this product. This warranty gives specific legal rights. However, you may have other rights which may vary from state to state. Some states do not allow limitations on implied warranties or exclusion of consequential damage. Therefore, these restrictions may not apply to you.

This product has been manufactured by and is sold under the responsibility of Craig Electronics Inc, and Craig Electronics Inc is the warrantor in relation to this product. MAGNAVOX and SMART. VERY SMART are registered trademarks of Koninklijke Philips N.V. and are used under license from Koninklijke Philips N.V.

To Obtain Service on your Product
email: service@craigelectronics.com