

MAGNAVOX

PORTABLE MICRO SYSTEM With Color Changing Light FM Radio and Bluetooth® Wireless Technology

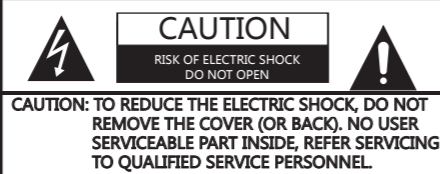
OWNER'S MANUAL

PLEASE READ BEFORE OPERATING THIS EQUIPMENT.

MODEL: MM438

Size: 148.5(W) x 210(H)mm (A5)

IMPORTANT SAFETY INSTRUCTIONS



WARNING: TO PREVENT FIRE OR SHOCK HAZARD, DO NOT EXPOSE THIS UNIT TO RAIN OR MOISTURE.

FCC NOTICE:

This equipment has been tested and found to comply with the limits for a Class B digital device, pursuant to Part 15 of the FCC Rules. These limits are designed to provide reasonable protection against harmful interference in a residential installation. This equipment generates, uses and can radiate radio frequency energy and, if not installed and used in accordance with the instructions, may cause harmful interference to radio communications. However, there is no guarantee that interference will not occur in a particular installation. If this equipment does cause harmful interference to radio or television reception, which can be determined by turning the equipment off and on, the user is encouraged to try to correct the interference by one or more of the following measures:

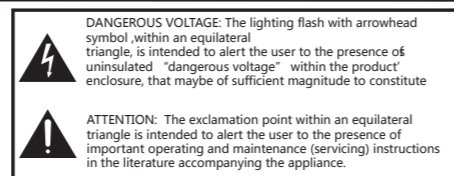
- Reorient or relocate the receiving antenna.
- Increase the separation between the equipment and receiver.
- Connect the equipment into an outlet on a circuit different from that to which the receiver is connected.
- Consult the dealer or an experienced radio/TV technician for help.

FCC STATEMENT:

This device complies with part 15 of the FCC Rules. Operation is subject to the following two conditions:
(1) This device may not cause harmful interference, and
(2) This device must accept any interference received, including interference that may cause undesired operation. The antenna(s) used for this transmitter must be installed to provide a separation distance of at least 20 cm from all persons and must not be co-located or operating in conjunction with any other antenna or transmitter.

FCC WARNINGS:

To assure continued operation, follow the attached installation instructions and use only shield cables when connecting to other devices. Changes or modifications not expressly approved by the party responsible for compliance could void the user's authority to operate the equipment.



Before using the unit, be sure to read all operating instructions carefully, please note that these are general precautions and may not pertain to your unit. For example, this unit may not have the capability to be connected to an outdoor antenna.

- 1. Read these instructions**
All the safety and operating instructions should be read before the appliance is operated.
- 2. Keep these instructions**
The safety and operating instructions should be kept for future reference.
- 3. Heed all warnings**
All warnings on the appliance and in the operating instructions should be adhered to.
- 4. Follow all instructions**
All operation and use instructions should be followed.
- 5. Do not use this apparatus near water**
The appliance should not be used near water; for example, near a bath tub, washbowl, kitchen sink, laundry tub, in wet basement, or near a swimming pool.
- 6. Clean only with dry cloth**
The appliance should be cleaned only as recommended by the manufacturer.
- 7. Do not block any ventilation openings. Install in accordance with the manufacturer's instructions.**
Slots and openings in the cabinet and in the back or bottom are provided for ventilation, to ensure reliable operation of the product and to protect it from overheating. These openings must not be blocked or covered. The openings should never be blocked by placing the product on a bed, sofa, rug, or similar surface. This product should never be placed near or over a radiator or heat source. This product should not be placed in a built-in installation, such as a bookcase or rack unless proper ventilation is provided or the manufacturer's instructions have been adhered to.
- 8. Do not install near any heat sources such as radiators, heat registers, stoves, or other apparatus (including amplifiers) that produce heat.**
- 9. Do not defeat the safety purpose of the polarized or grounding-type plug.** A polarized plug has two blades with one wider than the other. A grounding-type plug has two blades and a third grounding prong. The wide or the third prong are provided for your safety. If the provided plug does not fit into your outlet, consult an electrician for replacement of the obsolete outlet.
- 10. Product the power cord from being walked on or pinched particularly at plugs, convenience receptacles, and the point where they exit from the apparatus.**
- 11. Only use attachments / accessories specified by the manufacturer.**

- 12. Use only with a cart, stand, tripod, bracket, or table specified by the manufacturer, or sold with the apparatus. When a cart is used, use caution when moving the cart/appliances combination to avoid injury from tip-over.**
An appliance and cart combination should be moved with care. Quick stop, excessive force and uneven surfaces may cause the appliance and cart combination to overturn.

- 13. Unplug this apparatus during lightning storms or when unused for long periods of time.**
To protect your product from a lightning storm, or when it is left unattended and unused for long periods of time, unplug it from the wall outlet and disconnect the antenna or cable system. This will prevent damage to the product due to lightning and power-line surges.

- 14. Refer all servicing to qualified service personnel. Servicing is required when the apparatus has been damaged in any way, such as power-supply cord or plug is damaged, liquid has been spilled or objects have fallen into the apparatus, the apparatus has been exposed to rain or moisture, does not operate normally, or has been dropped.**

- 15. Power source**
This product should be operated only from the type of power source indicated on the marking label. If you are not sure of the type of power supply to your home, consult your appliance dealer or local power company. For products intended to operate from battery power, or other source, refer to the operation instructions.

- 16. Power lines**
An outside antenna system should not be located in the vicinity of overhead power lines or other electric lines or power circuits, or where it can fall into such power lines or circuits. When installing an outside antenna system, extreme care should be taken to keep from touching such power lines or circuits as contact with them might be fatal.

- 17. Overloading**
Do not overload wall outlets and extension cords as this can result in a risk of fire or electric shock.
- 18. Object and liquid entry**
Never push objects of any kind into the product through openings as they may touch dangerous voltage points or short out parts that could result in fire or electric shock. Never spill or spray any type of liquid on the product.

- 19. Outdoor antenna grounding**
If an outside antenna is connected to the product, be sure the antenna system is grounded so as to provide some protection against voltage surges and built up static charges. Section 810 of the National Electric Code (NEC) NFPA 70 provides information with respect to proper grounding of the mast and supporting structure, grounding of the lead-in wire to an antenna discharge product, size of grounding conductors, location of antenna-discharge product, connection to grounding electrodes and requirements for the grounding electrodes.

- 20. Service**
Do not attempt to service this product yourself as opening or removing covers may expose you to dangerous voltage or other hazards. Refer all servicing to qualified service personnel.

- 21. Replacement parts**
When replacement parts are required, be sure the service technician uses replacement parts specified by the manufacturer or those that have the same characteristics as the original parts. Unauthorized substitutions may result in fire or electric shock or other hazards.

- 22. Safety check**
Upon completion of any service or repairs to this product, ask the service technician to perform safety checks to determine that the product is in proper operating condition.

- 23. Wall or ceiling mounting**
The product should be mounted to a wall or ceiling only as recommended by the manufacturer.

- 24. Damage requiring service**
A. Unplug this product from the wall outlet and refer service to qualified service personnel under the following conditions.
B. When the power supply cord or plug is damaged.
C. If liquid has been spilled or objects have fallen into the product.
D. If the product has been exposed to rain or water.
E. If the product does not operate normally by following the operating instructions. Adjust only those controls that are covered by the operating instructions, as an adjustment of other controls may result in damage and will require extensive work by a qualified technician to restore the product to its normal operation.
F. If the product has been dropped or the cabinet has been damaged.
G. When the product exhibits a distinct change in performance - this indicates a need for service.

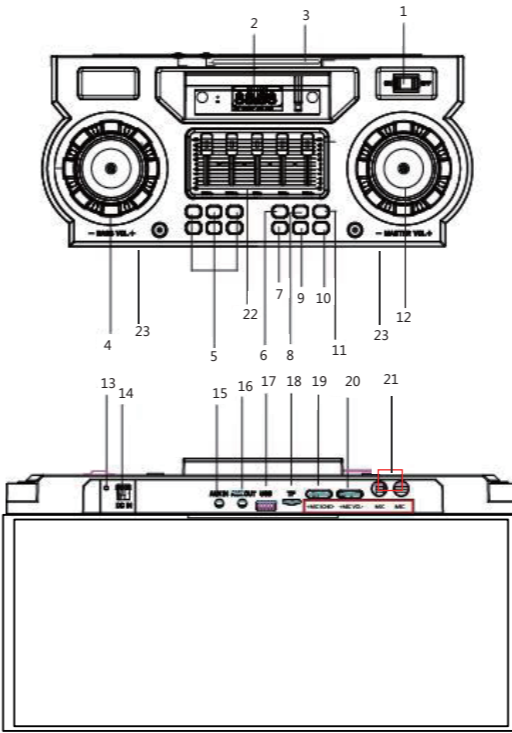
- 25. Note to CATV system installer**
This reminder is provided to call the CATV system installer's attention to Article 820-40 of the NEC that provides guidelines for proper grounding and, in particular, specifies that the cable ground shall be connected to the grounding system of the building, as close to the point of cable entry as practical.

- NOTE: Refer all servicing to qualified service personnel. Servicing is required when the unit has been damaged in any way such as the following: power-supply cord or plug has been damaged, liquid has been spilled into unit, the unit has been exposed to rain or moisture, the unit has been dropped or the unit does not operate normally.**

- 26. Servicing**
If an outside antenna is connected to the product, be sure the antenna system is grounded so as to provide some protection against voltage surges and built up static charges. Section 810 of the National Electric Code (NEC) NFPA 70 provides information with respect to proper grounding of the mast and supporting structure, grounding of the lead-in wire to an antenna discharge product, size of grounding conductors, location of antenna-discharge product, connection to grounding electrodes and requirements for the grounding electrodes.

- 27. Servicing**
If an outside antenna is connected to the product, be sure the antenna system is grounded so as to provide some protection against voltage surges and built up static charges. Section 810 of the National Electric Code (NEC) NFPA 70 provides information with respect to proper grounding of the mast and supporting structure, grounding of the lead-in wire to an antenna discharge product, size of grounding conductors, location of antenna-discharge product, connection to grounding electrodes and requirements for the grounding electrodes.

LOCATION OF CONTROLS:

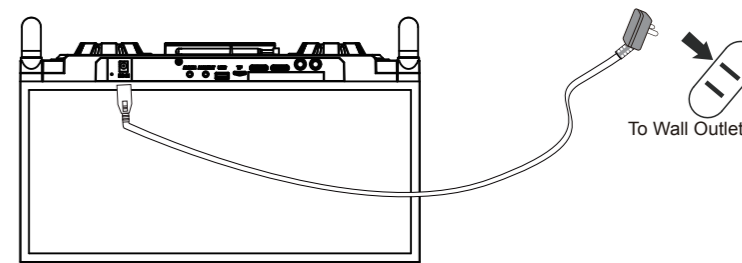


1. Power ON/OFF Switch
2. LED Display
3. FM Telescope Antenna
4. BASS VOL (Volume) Control Knob
5. "1" - "6" Buttons (Decorative LED Lights Blinking Mode Selection/FM Memory Buttons)
6. Light (Decorative LED Lights) On/Off Button
7. < Button
8. Rep (Repeat) Button
9. > Button
10. >> Button
11. Mode Button
12. MASTER VOL (Volume) Control Knob
13. Charging Indicator
14. DC IN Jack
15. AUX IN Jack
16. AUX OUT Jack
17. USB Port
18. TF (Micro SD Card) Slot
19. MIC ECHO (Microphone Echo) Control Knob
20. MIC VOL (Microphone Volume) Control Knob
21. MIC (Microphone) Jacks
22. Five (5) Bands Equalizer
23. Speakers with Decorative LED Lights

POWER SOURCE:

The unit has a built in Li-ion rechargeable battery, recharge it before use or when it is drained as follows:

1. Connect the small plug from the supplied AC/DC Adaptor to the DC IN Jack on the rear of unit.
2. Plug the AC/DC Adaptor to the AC wall outlet having AC 100-240V~, 50/60Hz as illustrated below.
3. During charging, the Red Charging Indicator on the rear of unit will illuminate. When finished, it will turn off.
4. During charging, you can also play and listening music at the same time.



Notes:

Your battery will last longer if you're following these simple guidelines for charging and storing.

- A. Before first time use, charge it approximately 5 hours until the unit is fully charged.
- B. Recharge and store the unit within the temperature range of 5°C - 35°C (40°F - 95°F).
- C. Do not charge longer than 24 hours. Excessive charging or turning the unit off with battery fully drains will damage battery. Battery life will extend if you keep the battery fully charged.
- D. Battery life naturally shortens slowly over time.
- E. The rechargeable battery incorporated in this product is not user replaceable.

OPERATIONS:

General Operation:

1. Recharged the built in Li-ion battery as previously instructed.
2. Press the Power ON/OFF Switch to ON position to power on the unit. The Decorative LED Lights will illuminate.
3. Press the Mode Button repeatedly to switch to desired playback mode. The correspondent indicator will appear (or illuminate) on the display with your selection (see list below).

Playback Mode:	Indicators:
BT (Bluetooth)	"BLUE BT" will appear on the display
USB (If USB Device inserted)	Indicator "USB TF" on display will illuminate
TF (If Micro SD Card inserted)	Indicator "USB TF" on display will illuminate
Radio FM Band	Radio frequency "XXX.X" or "XXX.X" will appear on the display
AUX IN (Line In)	"LINE" will appear on the display

4. During playback:
 - A. Turn the MASTER VOL (Volume) Control Knob on the top of unit to adjust volume level as desired.
 - B. Turn the BASS VOL (Volume) Control Knob on the top of unit to adjust the bass level as desired.
 - C. Slide the control knobs of the Five (5) Band Equalizer up or down to adjust the audio frequency as desired.
 - D. Press the Light (Decorative LED Lights) On/Off Button repeatedly to turn On/Off the Decorative LED Lights.

5. When finished listening, press the POWER ON/OFF Button to OFF position to shut off the unit.
- BT Mode:**
BT (Bluetooth) pairing:
First time use or re-pairing the unit to a new BT Device, pair as follows:
 1. Power on the unit and enter to BT mode as previously instructed. "BLUE BT" will appear on the display and "BT" in it will blink. The unit also will sound a prompt "Enter to Bluetooth".
 2. Power on the external BT Device and enter to BT searching mode. Start pairing following the on screen instructions from the external BT Device. After paired, the unit will sound a prompt "Bluetooth connected" and the BT Indicator will stop blinking.
 3. If pairing is complete you may now play music and answer calls with your external BT Device.

4. During playback:
 - Press the < Button on the unit to pause, press again to resume normal playback.
 - Press the > Button repeatedly to skip tracks.

5. When the external BT Device searched the unit, our model number "MM438" will appear on the display of external BT Device.
 - If while pairing you are asked for a code please try "0000" or "1234".

6. Normal operation after pairing:
 1. Power on the unit and enter to BT mode as previously instructed. "BLUE BT" will appear on the display and "BT" in it will blink. The unit also will sound a prompt "Enter to Bluetooth".
 2. Wait a few seconds until the unit is automatically paired to the external BT Device. The unit will sound a prompt "Bluetooth connected" and the BT Indicator will stop blinking.
 3. After pairing is complete you may now play music and answer calls with your external BT Device.

TF (Micro SD Card) Playback Mode:

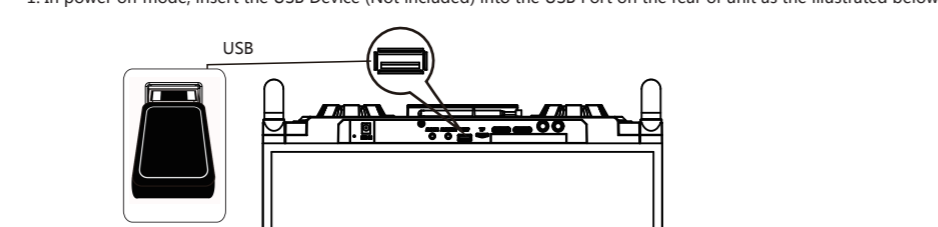
1. In power off mode, insert the Micro SD Card (Not included) into the TF (Micro SD Card) Slot on the rear of unit with contact finger face to up as the illustrated below.



2. Power on the unit by press the Power ON/OFF Switch to ON position. The unit will automatically play the song/music in the TF (Micro SD Card).
3. During playback:
 - Press the < Button to mute the sound, press again to turn the sound back.
 - Press the > Button repeatedly to skip tracks.
 - Press the Rep (Repeat) Button repeatedly to activate and set (or turn off) the repeat playback mode.
 - Press the Mode Button repeatedly to switch to other playback mode.

4. Notes:
 - Up to 16 GB Micro SD Card the unit supports to play.
 - Before replacing Micro SD Card, make sure the unit has been powered off.
 - When inserting the Micro SD Card, make sure the direction you selected is correct. Never insert violently to avoid damaging the Micro SD Card or the unit.
 - If it doesn't work, please check if the direction is correct.
 - You also need to download the desired music in MP3 format into the Micro SD Card before insert into the unit.

5. USB Device Playback Mode:
To play the music in USB Device:
 1. In power off mode, insert the USB Device (Not included) into the USB Port on the rear of unit as the illustrated below.



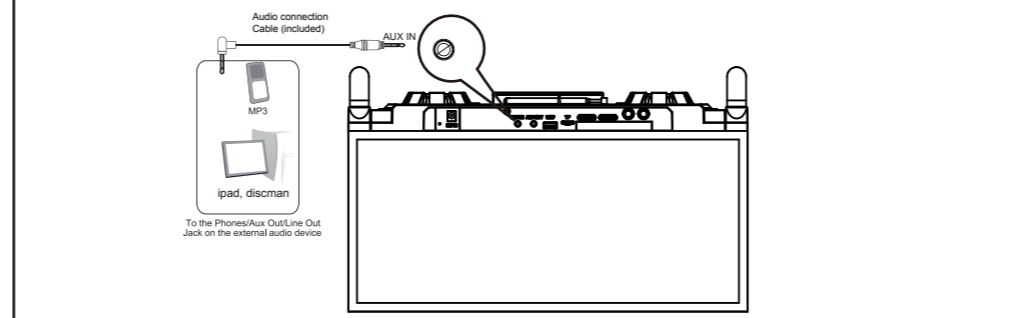
2. Power on the unit by press the Power ON/OFF Switch to ON position. The unit will automatically play the song/music in the USB Device.
3. During playback:
 - Press the < Button to mute the sound, press again to turn the sound back.
 - Press the > Button repeatedly to skip tracks.
 - Press the Rep (Repeat) Button repeatedly to activate and set (or turn off) the repeat playback mode.
 - Press the Mode Button repeatedly to switch to other playback mode.

4. Notes:
 - Up to 16 GB USB Device the unit supports to play.
 - Before replacing USB Device, make sure the unit has been powered off.
 - When inserting the USB Device, make sure the direction you selected is correct. Never insert violently to avoid damaging the USB Device or the unit.
 - You also need to download the desired music in MP3 format into the USB Device before insert into the unit.

5. FM Radio:
 1. Power on the unit and enter to Radio mode as previously instructed. Radio frequency will appear on the display.
 2. Press the < or > Buttons to automatically search and play the previous/next available FM station. Repeat the same procedures until the desired FM station was been searched and play.
 3. Preset and play:
 - A. Receiving the desired FM station as previously instructed, press and holding either "1" - "6" Buttons until "F XX" appear on the display to store the desired FM station into the memory.
 - B. Repeat the same procedures until all desired FM stations (Maximum 6 stations) were stored into the desired button.
 - C. Press either "1" - "6" Buttons to play the stored FM station.

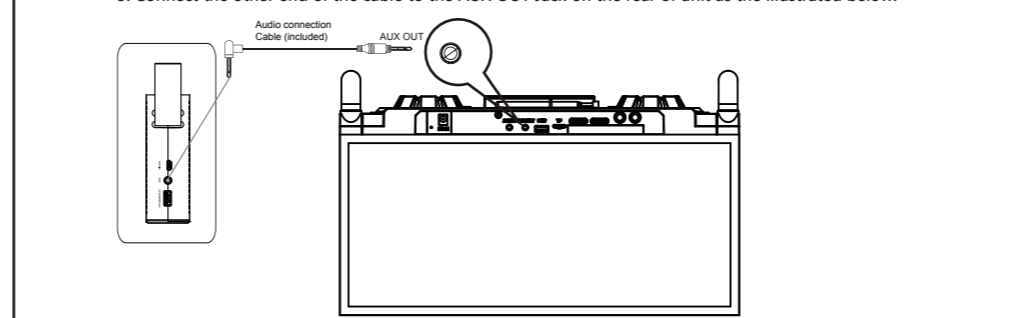
6. Antennas:
The telescope FM antenna is for FM radio reception, which provides adequate reception in most areas. If reception is weak, extend to its full length or adjust the angle to improve reception.

7. AUX IN Mode:
To listen to music from an external Audio Player such as a MP3 Player, Discman ...etc.
 1. Connect one end of the supplied Audio Connection Cable to the AUX Out/Line Out/Phone Jack on the external Audio Player.
 2. Connect the other end of the cable to the AUX IN (Line In) Jack on the rear of unit as the illustrated below.



3. Power on the unit and enter to AUX IN (Line In) mode as previously instructed. Indicator "LINE" will appear on the display.
4. Play the music on the connected Player as usual. (Make sure the volume level of the connected Audio Player is turned to high level.)
5. During playback, press the < Button to mute the sound, press again to turn the sound back.

6. AUX Out:
To listen music from external Audio Amplifier:
 1. Power on the unit and play music in any modes as instructed earlier.
 2. Connect one end of the supplied Audio Connection Cable to the AUX/LINE (in) Jack on the external Audio Amplifier.
 3. Connect the other end of the cable to the AUX OUT Jack on the rear of unit as the illustrated below.



7. Note: When the Audio Connection Cable was inserted into the AUX OUT Jack. The sound from speakers will be cut off. Unplug the cable from the jack after use.

8. Microphone:
To sing or play the Electric Guitar with the playing music:
 1. Power on the unit and play music in any modes as instructed earlier.
 2. Connect the plug from Microphone/Electric Guitar (Not included) to the MIC (Microphone) Jacks on the rear of unit.
 3. Turn the MIC VOL (Microphone Volume) Control Knob to adjust the sound level of Microphone/Electric Guitar.
 4. Turn the MIC ECHO (Microphone Echo) Control Knob to adjust the echo effect of Microphone/Electric Guitar.

9. Note: If feedback noise (high audio frequency noise) is sounding from the speakers, turn the MIC VOL (Microphone Volume) Knob counterclockwise to reduce the microphone volume level or keep the Microphone away from the speakers.

TROUBLESHOOTING GUIDE:

Check the following before requesting service:

SYMPTOM	POSSIBLE REASON	POSSIBLE SOLUTION
Can't power on	Built in battery drained	Recharge the built-in battery as page 4
No Sound or sound weak	Volume of the unit was set to minimum position	Increase the volume level by turning the MASTER VOL (Volume) Control Knob clockwise
	Volume level of paired/connected device is in low level	Rise the volume level of the paired/connected device
Sound distortion	Volume level too high	Reduce the volume level by turning the MASTER VOL (Volume) Control Knob counterclockwise
	Volume level of the connected/ paired device too high	Reduce the volume level of the connected/paired device
BT not functioning	The external BT Device had NOT paired to the unit	Pair the external BT Device to the unit as page 5
	The external BT device too far from the unit	Place the external BT device close to the unit

SPECIFICATIONS:

Power source:	Built-in DC \approx 7.4V, 1800 mAh (Total 13.32 WH) rechargeable Li-ion Battery. Recharge by DC \approx 9 V, 1300mA, \oplus - \ominus through DC IN Jack
Radio Frequency:	87.5-108MHz
BT Version:	2.1
BT Operation Distance:	2.32 Feet in open area

PACKAGE INCLUDES:

1. x User's Manual
1. x Audio Connection Cable with 3.5mm Plugs
1. x AC/DC Adapter/Output: AC 100-240 V~, 50/60Hz, 300mA; Output: DC \approx 9V, 1300mA, \oplus - \ominus

SPECIFICATIONS AND ACCESSORIES ARE SUBJECT TO CHANGE WITHOUT NOTICE

LIMITED WARRANTY

Craig Electronics warrants this product to be free from manufacturing defects in material and workmanship under normal use for a period of 180 days from date of purchase. If service is required, please return the product to the store where it was purchased for exchange; or, pack the unit in the original packing material with all accessories if applicable, a copy of your sales receipt and a Cashier's check or Money Order for \$18 (to cover shipping and handling costs) payable to Craig Electronics Inc. For consumers in Canada, please make sure that the cashier check or money order is redeemable through a U.S. bank. Ship your product freight pre-paid. Your unit will be repaired, replaced or if the unit cannot be repaired or replaced, a refund will be forwarded to you within four weeks of receipt of your unit. Please ship your unit to:

Craig Electronics Inc.
1160 NW 163 Drive
Miami, FL 33169

This warranty is void if the product has been: a) Used in a commercial application or rental. b) Damaged through misuse, negligence, or abuse. c) Modified or repaired by anyone other than an authorized Craig service center. d) Damaged because it is improperly connected to any other equipment.
Note: This warranty does not cover: a) Ordinary adjustments as outlined in the Owner's Manual which can be performed by the customer. b) Damage to equipment not properly connected to the product. c) Any cost incurred in shipping the product for repair. d) Damage to the product not used in the USA.

This warranty is not transferable and only applies to the original purchase. Any implied warranties, including the warranty of merchantability, are limited in duration to the period of this expressed warranty and no warranty whether expressed or implied shall apply to the product thereafter.

Under no circumstance shall Craig be liable for any loss or consequential damage arising out of the use of this product. This warranty gives specific legal rights. However, you may have other rights which may vary from state to state. Some states do not allow limitations on implied warranties or exclusion of consequential damage. Therefore, these restrictions may not apply to you.

This product has been manufactured by and is sold under the responsibility of Craig Electronics Inc. and Craig Electronics Inc. is the warrantor in relation to this product. MAGNAVOX and SMART, VERY SMART are registered trademarks of Koninklijke Philips N.V. and are used under license from Koninklijke Philips N.V.

To Obtain Service on your Product
email: service@craigelectronics.com

Printed in China

MM438_WC_E0H21_B0US