



**MAGNAVOX**

**STEREO SPEAKER**  
with Color Changing Lights and  
Bluetooth® Wireless Technology

***OWNER'S MANUAL***

PLEASE READ BEFORE OPERATING THIS EQUIPMENT.

**MODEL: MMA3679**

Size: 148.5(W) x 210(H)mm (A5)



**FCC NOTICE:**

This equipment has been tested and found to comply with the limits for a Class B digital device, pursuant to Part 15 of the FCC Rules. These limits are designed to provide reasonable protection against harmful interference in a residential installation. This equipment generates, uses and can radiate radio frequency energy and, if not installed and used in accordance with the instructions, may cause harmful interference to radio communications. However, there is no guarantee that interference will not occur in a particular installation. If this equipment does cause harmful interference to radio or television reception, which can be determined by turning the equipment off and on, the user is encouraged to try to correct the interference by one or more of the following measures:

- Reorient or relocate the receiving antenna.
- Increase the separation between the equipment and receiver.
- Connect the equipment into an outlet on a circuit different from that to which the receiver is connected.
- Consult the dealer or an experienced radio/TV technician for help.

**FCC STATEMENT:**

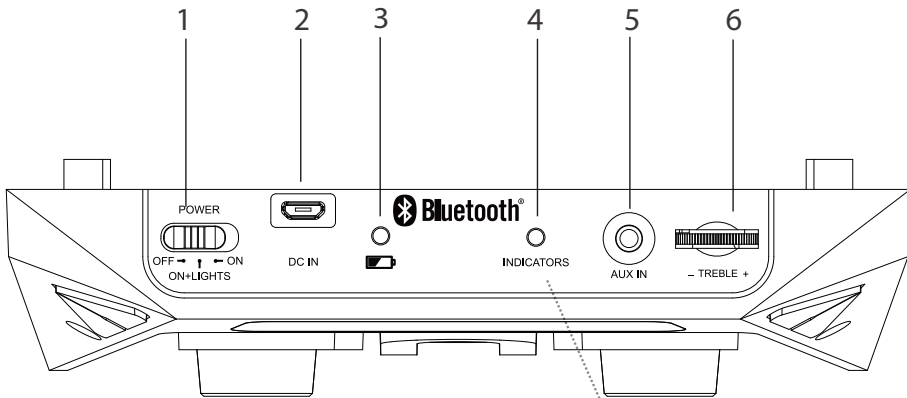
This device complies with part 15 of the FCC Rules. Operation is subject to the following two conditions:


- (1) This device may not cause harmful interference, and
- (2) This device must accept any interference received, including interference that may cause undesired operation. The antenna(s) used for this transmitter must be installed to provide a separation distance of at least 20 cm from all persons and must not be co-located or operating in conjunction with any other antenna or transmitter.

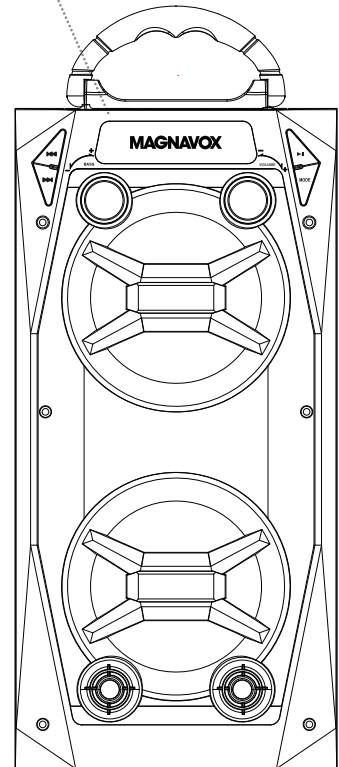
**FCC WARNING:**

To assure continued operation, follow the attached installation instructions and use only shield cables when connecting to other devices. Changes or modifications not expressly approved by the party responsible for compliance could void the user's authority to operate the equipment.

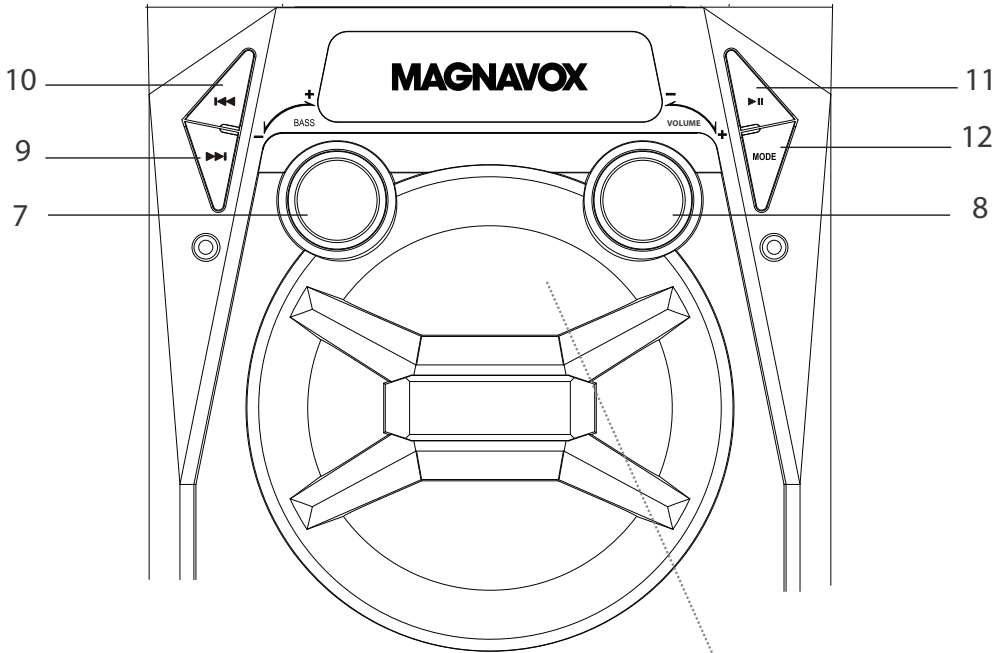
## LOCATION OF CONTROLS



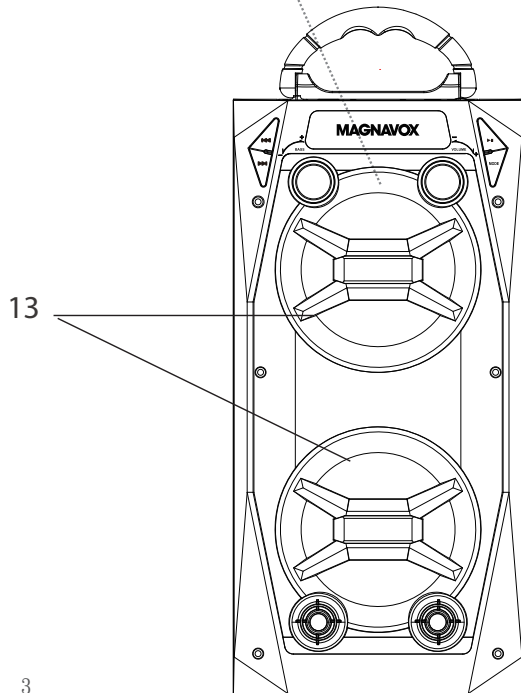
1. POWER Switch
2. DC IN (Micro USB) Port (For charging only)
3.  Charging Indicator
4. INDICATORS
5. AUX IN (LINE IN) Jack
6. TREBLE Control Knob



## LOCATION OF CONTROL




- 7. BASS Control Knob
- 8. VOLUME Control Knob
- 9. ►► (Skip Forward) Button
- 10. ◀◀ (Skip Backward) Button
- 11. ►|| (Play/Pause) Button
- 12. MODE Button
- 13. Speakers

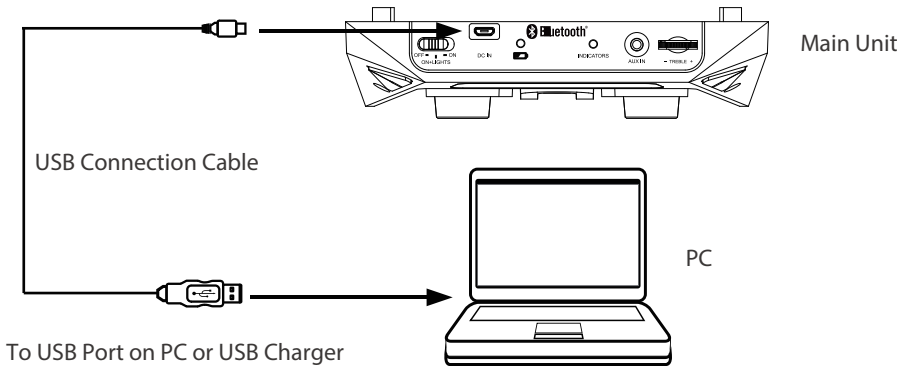


## POWER SOURCE

The unit has a built-in Li-ion rechargeable battery, recharge it before first time use or when it is drained as follows:

1. Connect the Micro USB plug from the supplied USB Connection Cable to the DC IN (Micro USB) Port on the top of unit.
2. Connect the full size USB Plug from the supplied USB Connection Cable to the USB Port on the Personal Computer or USB Charger (Personal Computer and USB Charger not included).
3. When charging, the  Charging Indicator on the top of unit will illuminate. When charging is complete, it will turn off.
4. During charging, you can also play and listening music at the same time.

To DC IN (Micro USB) Port  
on the top of unit



### NOTES:

Your battery will last longer if you're following these simple guidelines for caring and storing:

- A. Before first time use, charge it approximately 4 hours until the unit is fully charged.
- B. Recharge and store the unit within the temperature range of 5°C~35°C (40°F~95°F).
- C. Do not charge longer than 24 hours. Excessive charging or running the unit until battery fully drains will damage battery. Battery life will be extended if you keep the battery fully charged.
- D. Battery life naturally shortens slowly over time.
- E. The rechargeable battery incorporated in this product is not user replaceable.

## OPERATION:

### **BT (BLUETOOTH):**

**For first time use or re-pairing the unit to a new BT Device, follow instructions below:**

1. Slide the POWER Switch on the top of unit to "ON" (or "ON + LIGHTS") position to power on the unit (and decorative LED lights), the Blue Indicator on the top of unit will illuminate and blink.
2. Power on the external BT Device and enter to BT searching mode. Start pairing following the on screen instructions from the external BT Device. When paired, the Blue Indicator light will stop blinking.
3. If pairing is complete you may now play music with your external BT Device.
4. During playback:
  - Turn the VOLUME Control Knob on the front of unit to adjust volume level as desired
  - Turn the BASS Control Knob on the front of unit to adjust bass (low audio frequency) level as desired.
  - Turn the TREBLE Control Knob on the top of unit to adjust treble (high audio frequency) level as desired.
  - Press the ►|| Button to pause, press again to resume normal playback.
  - Press the ◀◀ or ▶▶ buttons repeatedly to skip tracks.
5. When finished listening, slide the POWER Switch to "OFF" position to shut off the unit.

### **Notes:**

- When the external BT Device searches for the unit, our model number "MMA3679" will appear on the display of external BT Device.
- If while pairing you are asked for a code please try "0000" or "1234".

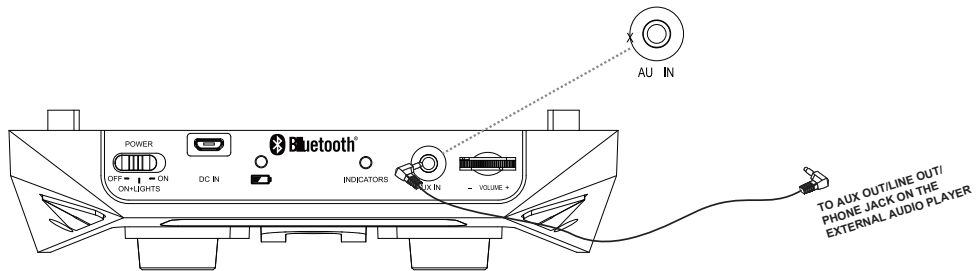
### **Normal operation after paired:**

1. Power on the external BT Device and enter to BT mode.
2. Slide the POWER Switch on the top of unit to "ON" (or "ON + LIGHTS") position to power on the unit (and decorative LED lights), the Blue Indicator on the top of unit will illuminate and blink.
3. Wait a few seconds until the unit automatically pair to the BT Device, the Blue Indicator will stop blinking.
4. If pairing is complete you may now play music with your external BT Device.

## AUX IN (LINE IN):

Listening from the external Audio Player such like MP3 Player, Discman...etc.

1. Connect one end of the supplied Audio Connection Cable to the AUX Out/Line Out/Phone Jack on the external Audio Player.
2. Connect the other end of the cable to the AUX IN (LINE IN) Jack on the top of unit as illustrated below:



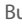

3. Slide the POWER Switch on the top of unit to "ON" (or "ON + LIGHTS") position to power on the unit (and decorative LED lights), the Blue Indicator on the top of unit will illuminate and blink.
4. Press the MODE Button on the front of unit to switch to AUX IN (LINE IN) mode. The color of the Blue Indicator will turn to Green. (To turn back to BT mode, press the button again. The color of the indicator will turn to Blue and blink.)
5. Play the music on the connected Player as usual. (Make sure the volume level of the connected Audio Player is turned to high level.)
6. During playback:
  - Turn the VOLUME Control Knob on the front of unit to adjust volume level as desired.
  - Turn the BASS Control Knob on the front of unit to adjust bass (low audio frequency) level as desired.
  - Turn the TREBLE Control Knob on the top of unit to adjust treble (high audio frequency) level as desired Green.
7. When finished listening, slide the POWER Switch to "OFF" position to turn off the unit.

## TROUBLE SHOOTING GUIDE

Check the following before requesting service:

SYMPTOM	POSSIBLE CAUSE	POSSIBLE SOLUTION
<b>Can't power on</b>	Built-in battery drained	Recharge the battery as page 4
<b>No sound or sound weak</b>	Volume of the unit was set to minimum position	Increase the volume level by turn the VOLUME Control Knob clockwise
	Volume level of paired/connected device is in low level	Rise the volume level of the paired/connected device
<b>Sound distortion</b>	Volume level too high	Reduce the volume level by turn the VOLUME Control Knob counterclockwise
	Bass level too high	Reduce the bass volume level by turn the BASS Control Knob counterclockwise
	Volume (or bass) level of the paired/connected device too high	Reduce the volume (or bass) level of the paired/connected device
<b>BT not functioning</b>	The external BT device had NOT paired to the unit	Pair the external BT device to the unit as page 5
	The external BT device too far from the unit	Place the external BT device close to the unit

## GENERAL SPECIFICATIONS

Power Source: .....	Built in DC  3.7V, 1200mAh (4.44WH) Li-ion rechargeable Battery, recharge by DC  5V through the DC IN (Micro USB) Port
Impedance of speakers: .....	5W / 2Ω per Channel
Audio Power: .....	3W per Channel (Total 6W, RMS)
BT Version: .....	4.1
BT Operation Distance: .....	<=/ 32 Feet in open area

## PACKAGE INCLUDES

- 1 x Owner's Manual
- 1 x USB Connection Cable (For charging only)
- 1 x Audio Connection Cables with 3.5mm Plugs

**SPECIFICATIONS AND ACCESSORIES ARE SUBJECT TO CHANGE WITHOUT NOTICE**



## LIMITED WARRANTY

Craig Electronics warrants this product to be free from manufacturing defects in material and workmanship under normal use for a period of 180 days from date of purchase. If service is required, please return the product to the store where it was purchased for exchange; or, pack the unit in the original packing material with all accessories if applicable, a copy of your sales receipt and a Cashier's check or Money Order for \$7 (to cover shipping and handling costs) payable to Craig Electronics Inc. For consumers in Canada, please make sure that the cashier check or money order is redeemable through a U.S. bank. Ship your product freight pre-paid. Your unit will be repaired, replaced or if the unit cannot be repaired or replaced, a refund will be forwarded to you within four weeks of receipt of your unit. Please ship your unit to:

Craig Electronics Inc.  
1160 NW 163 Drive  
Miami, FL 33169

This warranty is void if the product has been: a) Used in a commercial application or rental. b) Damaged through misuse, negligence, or abuse. c) Modified or repaired by anyone other than an authorized Craig service center. d) Damaged because it is improperly connected to any other equipment.

Note: This warranty does not cover: a) Ordinary adjustments as outlined in the Owner's Manual which can be performed by the customer. b) Damage to equipment not properly connected to the product. c) Any cost incurred in shipping the product for repair. d) Damage to the product not used in the USA.

This warranty is not transferable and only applies to the original purchase. Any implied warranties, including the warranty of merchantability, are limited in duration to the period of this expressed warranty and no warranty whether expressed or implied shall apply to the product thereafter.

Under no circumstance shall Craig be liable for any loss or consequential damage arising out of the use of this product. This warranty gives specific legal rights. However, you may have other rights which may vary from state to state. Some states do not allow limitations on implied warranties or exclusion of consequential damage. Therefore, these restrictions may not apply to you.

This product has been manufactured by and is sold under the responsibility of Craig Electronics Inc, and Craig Electronics Inc is the warrantor in relation to this product. MAGNAVOX and SMART. VERY SMART are registered trademarks of Koninklijke Philips N.V. and are used under license from Koninklijke Philips N.V.

To Obtain Service on your Product  
email: [service@craigelectronics.com](mailto:service@craigelectronics.com)