



**MAGNAVOX**

# PORTABLE SOUND BLASTER

with Bluetooth® Wireless Technology

***OWNER'S MANUAL***

PLEASE READ BEFORE OPERATING THIS EQUIPMENT.

**MODEL: MR4207**

Size: 148.5(W) x 210(H)mm (A5)

**FCC NOTICE:**

This equipment has been tested and found to comply with the limits for a Class B digital device, pursuant to Part 15 of the FCC Rules. These limits are designed to provide reasonable protection against harmful interference in a residential installation. This equipment generates, uses and can radiate radio frequency energy and, if not installed and used in accordance with the instructions, may cause harmful interference to radio communications. However, there is no guarantee that interference will not occur in a particular installation. If this equipment does cause harmful interference to radio or television reception, which can be determined by turning the equipment off and on, the user is encouraged to try to correct the interference by one or more of the following measures:

- Reorient or relocate the receiving antenna.
- Increase the separation between the equipment and receiver.
- Connect the equipment into an outlet on a circuit different from that to which the receiver is connected.
- Consult the dealer or an experienced radio/TV technician for help.

**FCC STATEMENT:**

This device complies with part 15 of the FCC Rules. Operation is subject to the following two conditions:

- (1) This device may not cause harmful interference, and
- (2) This device must accept any interference received, including interference that may cause undesired operation. The antenna(s) used for this transmitter must be installed to provide a separation distance of at least 20 cm from all persons and must not be co-located or operating in conjunction with any other antenna or transmitter.

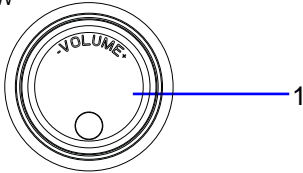
**FCC WARNING:**

To assure continued operation, follow the attached installation instructions and use only shield cables when connecting to other devices. Changes or modifications not expressly approved by the party responsible for compliance could void the user's authority to operate the equipment.

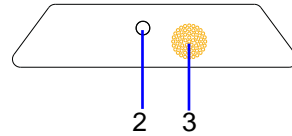
## LOCATION OF CONTROLS

### MAIN UNIT:

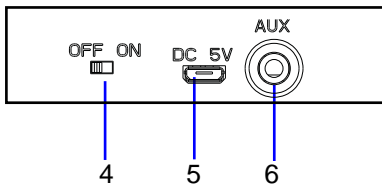
TOP VIEW



FRONT VIEW



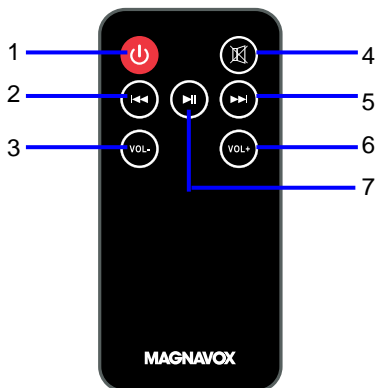
REAR VIEW



1. VOLUME Knob
2. Indicators
3. Remote Sensor

4. Power ON/OFF Switch
5. DC 5V Jack (Micro USB Port, for charging only)
6. AUX (in) Jack

### REMOTE CONTROL:



1. ⏻ (Power On/Off) Button
2. ⏮ (Previous) Button
3. VOL- (Volume Down) Button
4. 🔇 (Mute) Button
5. ⏭ (Next) Button
6. VOL+ (Volume Up) Button
7. ▶⏸ (Play/Pause) Button

## BATTERY INSTALLATION FOR REMOTE CONTROL

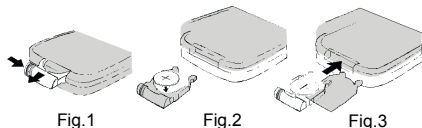
### FIRST TIME USE

- Remove and discaed the insulation tab as figure on the right.




- Replacing the button cell of the it when it was drained as follows:

1. Push and slide out the battery holder as figure 1 below.
2. Replace the button cell with a new CR2025 button cell as the polarity markings on the rear of the Remote Control.
3. Close the battery holder.



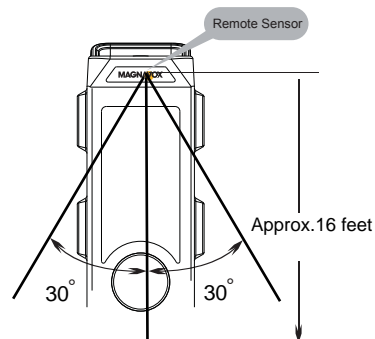
### BATTERY PRECAUTIONS

Follow these precautions when using a battery in this device:

1. Use only the size and type of battery specified.
2. Be sure to follow the correct polarity when installing the battery as indicated in the battery compartment, a reserved battery may cause damage to the device.
3. Do not mix different types of batteries together ( e.g: Alkaline and Carbon-zinc ) or old batteries with fresh ones.
4. If the batteries in the device are consumed or the device is not to be used for a long period of time, remove the batteries to prevent damage or injury from possible leakage.
5. Do not try to recharge the battery not intended to be recharged; it can overheat and rupture. ( Follow battery manufacturer's instructions.)
6. The batteries shall not be exposed to excessive heat such as sunshine, fire or the like.
7. Clean the battery contacts and also those of the device prior to battery installation.
8.  The remote control supplied with a coin/button cell battery. If the coin button cell battery is swallowed, it can cause severe internal burns in just 2 hours and can lead to death. Keep new and used battery away from children. If the Battery compartment does not close securely, stop using the product and keep it away from children. If you think batteries might have been swallowed or placed any part of the body, seek immediate medical attention.

### REMOTE CONTROL OPERATION RANGE

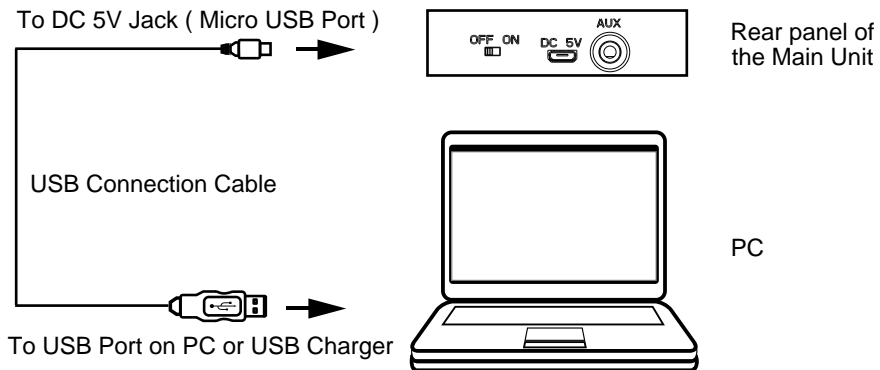
- When there is an obstacle between the remote and the transmitter, the unit may not operate.
- When direct sunlight, an incandescent lamp, fluorescent lamp or any other strong light shines on the REMOTE SENSOR of the unit, the operation of the remote may be unstable.



## **POWER SOURCE:**

The unit has a built in Li-ion rechargeable battery, recharge it before use or when it is drained as follows:

1. Connect the Micro USB Plug from the supplied USB Connection Cable to the DC 5V Jack (Micro USB Port) on the rear of unit.
2. Connect the full sized USB Plug from the supplied USB Connection Cable to the USB Port on the Computer or USB Charger. (Computer and USB Charger NOT supplied).
3. During charging, the Red Charging Indicator on the front of unit will illuminate. When finished, it will turn off.



### **NOTES:**

Your battery will last longer if you're following these simple guidelines for caring and storing:

- A. Before first time use, charge it approximately 4 hours until the unit is fully charged.
- B. Recharge and store the unit within the temperature range of 5°C~35°C (40°F~95°F).
- C. Do not charge longer than 24 hours. Excessive charging or running the unit until battery fully drains will damage battery. Battery life will be extended if you keep the battery fully charged.
- D. Battery life naturally shortens slowly over time.
- E. The rechargeable battery incorporated in this product is not user replaceable.

## **OPERATION:**

### **BT (Bluetooth):**

First time use or re-pairing the unit to a new BT device, pair as follows:

1. Power on the unit by slide the Power ON/OFF Switch on the rear of unit to ON position.  
The unit will enter to BT (Bluetooth) mode automatically. Blue Indicator on the front of unit will illuminate and blink.
2. Power on the external BT device and enter to BT searching mode. Start pairing following the on screen instructions from the external BT device.  
After paired, the Blue Indicator will stop blinking.
3. If pairing is complete you may now play music with your external BT device.
4. During playback:
  - Press the ⏮ or ⏭ Buttons on the Remote Control repeatedly to skip to desired track.
  - Press the 🔇 (Mute) Button on the Remote Control to turn off sound, press again to turn the sound back.
  - Press the ⏸ (Play/Pause) Button on the Remote Control to pause; press again to resume normal playback.
  - Turn the VOLUME Knob on the unit or press the VOL (Volume) +/- Buttons on the Remote Control to adjust volume level as desired.
5. When finished listening, slide the Power ON/OFF Switch to OFF position to power off the unit or press the ⏻ Button on the Remote Control to turn the unit to Standby mode.  
In Standby mode:
  - Press the ⏻ Button on the Remote Control to turn on the unit. Or,
  - Slide the Power ON/OFF Switch on the rear of unit to OFF position then slide to ON position to turn on the unit.

### **NOTES:**

- For energy saving, if unit is not to be used for an extended period of time, turn off the unit by slide the Power ON/OFF Switch to OFF position.
- When the external BT device searched the unit, our model number "MR4207" will appear on the display of external BT Device.
- If while pairing you are asked for a code please try "0000" or "1234".

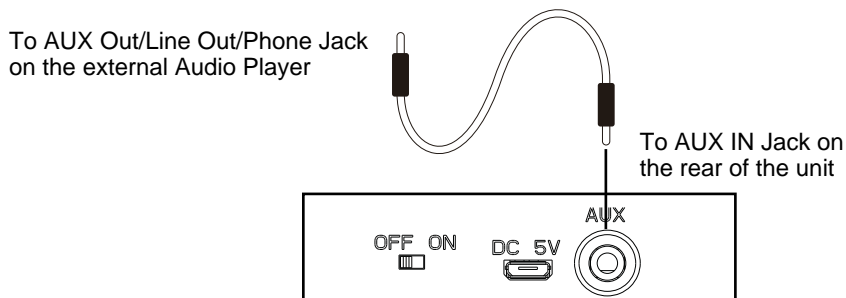
### **Normal operation after pairing:**


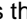

1. Turn on the BT function of the BT device.
2. Power on the unit by slide the Power ON/OFF Switch on the rear of unit to ON position.  
(If the unit is in Standby mode, press the ⏻ Button on the Remote Control to power on it from Standby mode.) The unit will enter to BT (Bluetooth) mode automatically. Blue Indicator on the front of unit will illuminate and blink.
3. Wait a few seconds until the unit is automatically paired to the external BT device.  
(The Blue Indicator will stop blinking).
4. After pairing is complete you may now play music with your external BT device.

## AUX IN:

To listen from an external Audio Player such as a MP3 Player, Discman ...etc.

1. Connect one end of the supplied Audio Connection Cable to the AUX Out/Line Out/Phone Jack on the external Audio Player.
2. In power on mode, connect the other end of the cable to the AUX (in) Jack on the rear of unit as the figure below. The unit will turn to AUX (in) mode automatically.



3. Play the music on the connected Player as usual. (Make sure the volume level of the connected Audio Player is turned to high level.)
4. During playback:
  - Turn the VOLUME Knob on the unit or press the VOL (Volume) +/- Buttons on the Remote Control to adjust volume level as desired.
  - Press the  (Mute) Button on the Remote Control to turn off the sound; press again to turn the sound back.
5. When finished listening, slide the Power ON/OFF Switch to OFF position to power off the unit or press the  Button on the Remote Control to turn the unit to Standby mode.  
In Standby mode:
  - Press the  Button on the Remote Control to turn on the unit. Or,
  - Slide the Power ON/OFF Switch on the rear of unit to OFF position then slide to ON position to turn on the unit.

## NOTES:

- If the Audio Connection Cable was plugged into the AUX (in) Jack, the Bluetooth function will auto cut. Unplug the Cable from the AUX (in) Jack before use Bluetooth function.
- For energy saving, if unit is not to be used for an extended period of time, turn off the unit by slide the Power ON/OFF Switch to OFF position.

## **TROUBLESHOOTING**

Check the following before requesting service:

<b>SYMPTOM</b>	<b>POSSIBLE CAUSE</b>	<b>POSSIBLE SOLUTION</b>
Can't power on	Built in battery drained	Recharge the battery as page 5
No sound or sound weak	Volume level of the unit is low	Rising the volume level by turning the VOLUME Knob on the unit clockwise or press the VOL (Volume) + Button on the Remote Control
	Volume level of the paired/ connected device is in low level	Rise the volume level of the paired/ connected device
Sound distortion	Volume level of the unit is high	Reduce the volume level by turning the VOLUME Knob on the unit counterclockwise or press the VOL (Volume) - Button on the Remote Control
	Volume level of the paired/ connected device too high	Reduce the volume level of the paired/ connected device
BT not functioning	The external BT device had NOT paired to the unit	Pair the external BT device to the unit as page 6
	The external BT device too far from the unit	Place the external BT device close to the unit

## **SPECIFICATIONS:**

Power source: Built-in DC --- 3.7V, 2000mAh (7.4WH) rechargeable Li-ion Battery,  
Recharge by DC --- 5V through DC 5V Jack (Micro USB Port)

Impedance of the speakers: 2 x 3W; 3ohm  
Audio power: 2 x 2W (Total 4W, RMS)  
BT Version: 4.1  
BT Operation Distance:  $\cong$  32 Feet in open area

## **PACKAGE INCLUDES:**

1 x User's Manual  
1 x USB Connection Cable (For Charging Only)  
1 x Audio Connection Cables with 3.5mm Plugs  
1 x Remote Control (Uses 1 x CR 2025 button cell, included)

**SPECIFICATIONS AND ACCESSORIES ARE SUBJECT TO CHANGE  
WITHOUT NOTICE**



## LIMITED WARRANTY

Craig Electronics warrants this product to be free from manufacturing defects in material and workmanship under normal use for a period of 180 days from date of purchase. If service is required, please return the product to the store where it was purchased for exchange; or, pack the unit in the original packing material with all accessories if applicable, a copy of your sales receipt and a Cashier's check or Money Order for \$10 (to cover shipping and handling costs) payable to Craig Electronics Inc. For consumers in Canada, please make sure that the cashier check or money order is redeemable through a U.S. bank. Ship your product freight pre-paid. Your unit will be repaired, replaced or if the unit can not be repaired or replaced, a refund will be forwarded to you within four weeks of receipt of your unit. Please ship your unit to:

Craig Electronics Inc.  
1160 NW 163 Drive  
Miami, FL 33169

This warranty is void if the product has been: a) Used in a commercial application or rental. b) Damaged through misuse, negligence, or abuse. c) Modified or repaired by anyone other than an authorized Craig service center. d) Damaged because it is improperly connected to any other equipment.

Note: This warranty does not cover: a) Ordinary adjustments as outlined in the Owner's Manual which can be performed by the customer. b) Damage to equipment not properly connected to the product. c) Any cost incurred in shipping the product for repair. d) Damage to the product not used in the USA.

This warranty is not transferable and only applies to the original purchase. Any implied warranties, including the warranty of merchantability, are limited in duration to the period of this expressed warranty and no warranty whether expressed or implied shall apply to the product thereafter.

Under no circumstance shall Craig be liable for any loss or consequential damage arising out of the use of this product. This warranty gives specific legal rights. However, you may have other rights which may vary from state to state. Some states do not allow limitations on implied warranties or exclusion of consequential damage. Therefore, these restrictions may not apply to you.

This product has been manufactured by and is sold under the responsibility of Craig Electronics Inc, and Craig Electronics Inc is the warrantor in relation to this product. MAGNAVOX and SMART. VERY SMART are registered trademarks of Koninklijke Philips N.V. and are used under license from Koninklijke Philips N.V.

To Obtain Service on your Product  
email: [service@craigelectronics.com](mailto:service@craigelectronics.com)