

MAGNAVOX

PORTABLE SPEAKER SYSTEM

with Decorative Color Changing Lights
and Bluetooth® Wireless Technology

OWNER'S MANUAL

MODEL: MHT825

IMPORTANT SAFETY INSTRUCTION

	CAUTION RIKS OF ELECTRIC SHOCK DO NOT OPEN	
CAUTION: TO REDUCE THE RISK OF ELECTRIC SHOCK, DO NOT REMOVE COVER (OR BACK). NO USER-SERVICEABLE PARTS INSIDE. REFER SERVICING TO QUALIFIED SERVICE PERSONNEL.		

**DANGEROUS VOLTAGE:**

The lightning flash with arrowhead symbol, within an equilateral triangle is intended to alert the user to the presence of uninsulated "dangerous voltage" within the product's enclosure that may be of sufficient magnitude to constitute a risk of electric shock to persons.

**ATTENTION:**

The exclamation point within an equilateral triangle is intended to alert the user to the presence of important operating and maintenance (servicing) instructions in the literature accompanying the appliance.

WARNING: TO PREVENT FIRE OR SHOCK HAZARD, DO NOT EXPOSE THIS UNIT TO RAIN OR MOISTURE.

FCC NOTICE:

This equipment has been tested and found to comply with the limits for a Class B digital device, pursuant to Part 15 of the FCC Rules. These limits are designed to provide reasonable protection against harmful interference in a residential installation. This equipment generates, uses and can radiate radio frequency energy and, if not installed and used in accordance with the instructions, may cause harmful interference to radio communications. However, there is no guarantee that interference will not occur in a particular installation. If this equipment does cause harmful interference to radio or television reception, which can be determined by turning the equipment off and on, the user is encouraged to try to correct the interference by one or more of the following measures:

- Reorient or relocate the receiving antenna.
- Increase the separation between the equipment and receiver.
- Connect the equipment into an outlet on a circuit different from that to which the receiver is connected.
- Consult the dealer or an experienced radio/TV technician for help.

FCC STATEMENT:

This device complies with part 15 of the FCC Rules. Operation is subject to the following two conditions:

- (1) This device may not cause harmful interference, and
- (2) This device must accept any interference received, including interference that may cause undesired operation. The antenna(s) used for this transmitter must be installed to provide a separation distance of at least 20 cm from all persons and must not be co-located or operating in conjunction with any other antenna or transmitter.

FCC WARNING:

To assure continued operation, follow the attached installation instructions and use only shield cables when connecting to other devices. Changes or modifications not expressly approved by the party responsible for compliance could void the user's authority to operate the equipment.

IMPORTANT SAFETY INSTRUCTIONS

Before using the unit, be sure to read all operating instruction carefully, please note that these are general precautions and may not pertain to your unit. For example, this unit may not have the capability to be connected to an outdoor antenna.

1. Read these instructions

All the safety and operating instructions should be read before the appliance is operated.

2. Keep these instructions

The safety and operating instructions should be kept for future reference.

3. Heed all warnings

All warnings on the appliance and in the operating instructions should be adhered to.

4. Follow all instructions

All operation and use instructions should be followed.

5. Do not use this apparatus near water

The appliance should not be used near water; for example, near a bath tub, washbowl, kitchen sink, laundry tub, in a wet basement, or near a swimming pool.

6. Clean only with dry cloth

The appliance should be cleaned only as recommended by the manufacturer.

7. Do not block any ventilation openings. Install in accordance with the manufacturer's instructions.

Slots and openings in the cabinet and in the back or bottom are provided for ventilation, to ensure reliable operation of the product and to protect it from overheating. These openings must not be blocked or covered. The openings should never be blocked by placing the product on a bed, sofa, rug, or similar surface. This product should never be placed near or over a radiator or heat source. This product should not be placed in a built-in installation, such as a bookcase or rack unless proper ventilation is provided or the manufacturer's instructions have been adhered to.

8. Do not install near any heat sources such as radiators, heat registers, stoves, or other apparatus (including amplifiers) that produce heat.

9. Do not defeat the safety purpose of the polarized or grounding-type plug. A polarized plug has two blades with one wider than the other.

A grounding type plug has two blades and a third grounding prong. The wide or the third prong are provided for your safety. If the provided plug does not fit into your outlet, consult an electrician for replacement of the obsolete outlet.

10. Product the power cord from being walked on or pinched particularly at plugs, convenience receptacles, and the point where they exit from the apparatus.

11. Only use attachments / accessories specified by the manufacturer.

12. Use only with a cart, stand, tripod, bracket, or table specified by the manufacturer, or sold with the apparatus. When a cart is used, use caution when moving the cart/apparatus combination to avoid injury from tip-over.

An appliance and cart combination should be moved with care. Quick stop, excessive force and uneven surfaces may cause the appliance and cart combination to overturn.



13. Unplug this apparatus during lightning storms or when unused for long periods of time.

To protect your product from a lightning storm, or when it is left unattended and unused for long periods of time, unplug it from the wall outlet and disconnect the antenna or cable system. This will prevent damage to the product due to lightning and power-line surges.

14. Refer all servicing to qualified service personnel. Servicing is required when the apparatus has been damaged in any way, such as power-supply cord or plug is damaged, liquid has been spilled or objects have fallen into the apparatus, the apparatus has been exposed to rain or moisture, does not operate normally, or has been dropped.

15. Power source

This product should be operated only from the type of power source indicated on the marking label. If you are not sure of the type of power supply to your home, consult your appliance dealer or local power company. For products intended to operate from battery power, or other source, refer to the operation instructions.

16. Power lines

An outside antenna system should not be located in the vicinity of overhead power lines or other electric light or power circuits, or where it can fall into such power lines or circuits. When installing an outside antenna system, extreme care should be taken to keep from touching such power lines or circuits as contact with them might be fatal.

17. Overloading

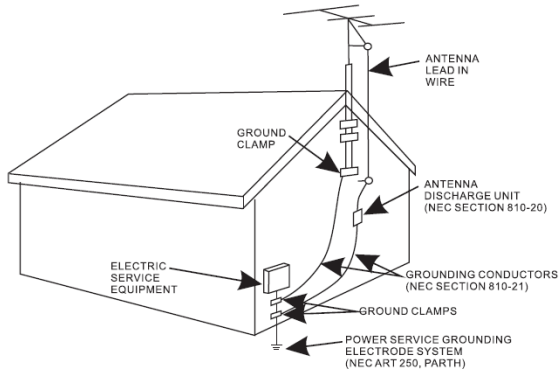
Do not overload wall outlets and extension cords as this can result in a risk of fire or electric shock.

18. Object and liquid entry

Never push objects of any kind into the product through openings as they may touch dangerous voltage points or short out parts that could result in fire or electric shock. Never spill or spray any type of liquid on the product.

19. Outdoor antenna grounding

If an outside antenna is connected to the product, be sure the antenna system is grounded so as to provide some protection against voltage surges and built up static charges. Section 810 of the National Electric Code ANSI/ NFPA 70 provides information with respect to proper grounding of the mast and supporting structure, grounding of the lead- in wire to an antenna discharge product, size of grounding conductors, location of antenna- discharge product, connection to grounding electrodes and requirements for the grounding electrodes.



20. Service

Do not attempt to service this product yourself as opening or removing covers may expose you to dangerous voltage or other hazards. Refer all servicing to qualified service personnel.

21. Replacement parts

When replacement parts are required, be sure the service technician uses replacement parts specified by the manufacturer or those that have the same characteristics as the original parts. Unauthorized substitutions may result in fire or electric shock or other hazards.

22. Safety check

Upon completion of any service or repairs to this product, ask the service technician to perform safety checks to determine that the product is in proper operating condition.

23. Wall or ceiling mounting

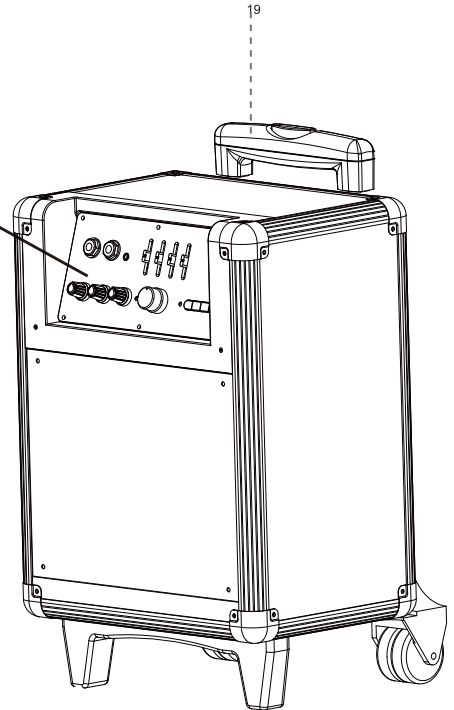
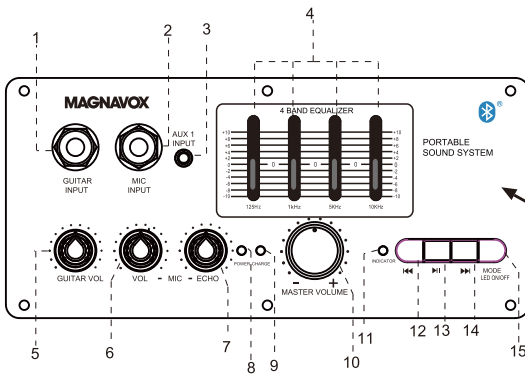
The product should be mounted to a wall or ceiling only as recommended by the manufacturer.

24. Damage requiring service

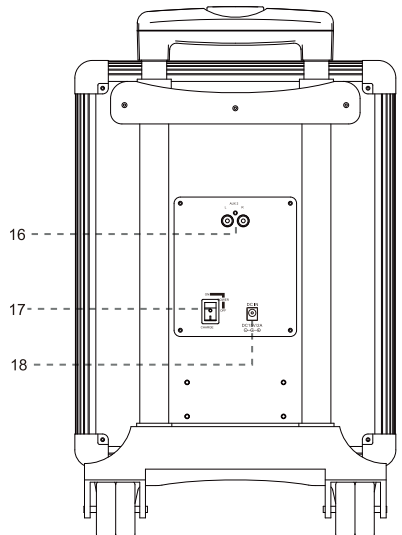
- A. Unplug this product from the wall outlet and refer service to qualified service personnel under the following conditions.
- B. When the power- supply cord or plug is damaged.
- C. If liquid has been spilled or objects have fallen into the product.
- D. If the product has been exposed to rain or water.
- E. If the product does not operate normally by following the operating instructions. Adjust only those controls that are covered by the operating instructions, as an adjustment of other controls may result in damage and will require extensive work by a qualified technician to restore the product to its normal operation.
- F. If the product has been dropped or the cabinet has been damaged.
- G. When the product exhibits a distinct change in performance- this indicates a need for service.

NOTE: Refer all servicing to qualified service personnel. Servicing is required when the unit has been damaged in any way such as the following: the power-supply cord or plug has been damaged, liquid has been spilled into unit, the unit has been exposed to rain or moisture, the unit has been dropped or the unit does not operate normally.

LOCATION OF CONTROLS



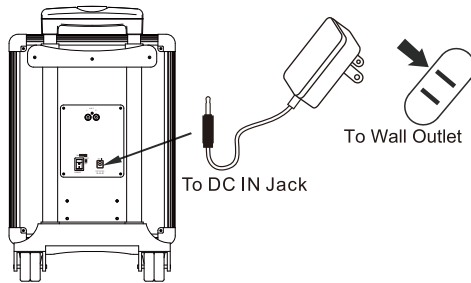
1. GUITAR INPUT Jack
2. MIC (Microphone) INPUT Jack
3. AUX 1 INPUT Jack
4. 4 BAND EQUALIZER
5. GUITAR VOL (Volume) Control Knob
6. MIC VOL (Microphone Volume) Control Knob
7. MIC ECHO (Microphone Echo Effect) Control Knob
8. POWER Indicator
9. CHARGE Indicator
10. MASTER VOLUME Control Knob
11. INDICATOR
12. I◀◀ Button
13. ▶▶| Button
14. ▶▶| Button
15. MODE - LED ON/OFF Button
16. AUX 2 Jacks
17. Main Power Switch (POWER ON - POWER OFF - CHARGE)
18. DC IN Jack
19. Carry Handle



POWER SOURCE

The unit has a built-in Sealed Lead Acid rechargeable battery, recharge it before use or when it is drained as follows:

1. Connect the small plug from the supplied AC/DC adaptor to the DC IN Jack on the rear of unit. Connect the AC/DC adaptor to a conveniently located wall socket with AC 100-240V~; 50 or 60Hz.
2. Switch the Main Power Switch on the rear of unit to CHARGE position, CHARGE Indicator on front panel will illuminate.
3. When finished charging, the CHARGE Indicator will turn off. Then switch the Main Power Switch on the rear of unit to POWER OFF position and/or unplug the AC/DC adaptor from the unit and wall outlet.



Notes:

Your battery will last longer if you're following these simple guidelines for caring and storing.

- A. Before first time use, charge it approximately 12 hours until the unit is fully charged.
- B. Do not charge longer than 24 hours. When finished charge; the CHARGE Indicator will turn off. Then switch the Main Power Switch on the rear of unit to POWER OFF position and/or unplug the AC/DC adaptor from the unit and wall outlet. Excessive charging or running the unit until the battery fully drains will damage battery.
Battery life will be extended if you keep the battery fully charged.
- C. During playback, you can also charge the battery at the same time.
- D. Recharge and store the unit within the temperature range of 5°C~35°C (40°F~95°F).
- E. Battery life naturally shortens slowly over time.
- F. The rechargeable battery incorporated in this product is not user replaceable.
- G. If you will not use the unit for an extended period of time, unplug the AC/DC adaptor from AC outlet.

OPERATIONS

GENERAL OPERATION:

1. Recharge the built-in battery or connect the unit to the supplied AC/DC adaptor and wall outlet as previously instructed.
2. Switch the Main Power Switch on the rear of unit to POWER ON position to power on the unit. The POWER Indicator on front panel will illuminate.
3. Press and release the MODE – LED ON/OFF Button repeatedly to switch to desired playback mode. The color of the INDICATOR on front panel will change the color with your selection (see list below):

Playback Mode:	Color of the INDICATOR on front panel
BT (Bluetooth)	Blue
Radio	Green
AUX (In) 1	Red
AUX (In) 2	White

4. During playback:
 - A. Turn the MASTER VOLUME Control Knob on front panel to adjust volume level as desired.
 - B. Slide the control knobs on the 4 BAND EQUALIZER up and down to enhance or reduce specific audio frequency levels as desired.
 - C. Press and hold the MODE - LED ON/OFF Button to turn off the Decorative LED Lights. Press and hold again to turn it back on.
5. When finished listening, switch the Main Power Switch to POWER OFF position to shut off the unit.

NOTE:

If the unit is connecting to AC/DC adaptor and AC power, the unit will continually be charging the built-in battery. When it is fully recharged, the CHARGE Indicator will turn off. Then unplug the AC/DC adaptor from unit and AC wall outlet.

BT MODE:

BT (Bluetooth) pairing:

First time use or re-pairing the unit to a new BT Device, pair as follows:

1. Power on the unit and enter to BT mode as previously instructed. The color of the INDICATOR on front panel will turn to Blue and blink.
2. Power on the external BT Device and enter to BT searching mode. Start pairing following the on screen instructions from the external BT Device. When paired, the Blue INDICATOR will stop blinking.
3. When pairing is complete you may now play music with your external BT Device.
4. During playback:
 - A. Press the ►|| Button on the unit to pause, press again to resume normal playback.
 - B. Press the ◀◀ or ▶▶ Buttons repeatedly to skip tracks.

Notes:

- When the external BT Device searched the unit, our model number "MHT825" will appear on the display of external BT Device.
- If while pairing you are asked for a code please try "0000" or "1234".

Normal operation after pairing:

1. Power on the external BT Device and enter to BT mode.
2. Power on the unit and enter to BT mode as previously instructed. The color of the INDICATOR on front panel will turn to Blue and blink.
3. Wait a few seconds until the unit is automatically paired to the external BT Device. The Blue INDICATOR will stop blinking.
4. When pairing is complete you may now play music with your external BT Device.

FM RADIO:

1. Power on the unit as previously instructed.
2. Press the MODE – LED ON/OFF Button repeatedly until the color of the INDICATOR on front panel turns to Green.
3. Press and hold the ◀◀ or ▶▶ Buttons to automatically search and play the previous/next available FM station. Repeat the same procedures until the desired FM station was been found and play.
4. During playback, press the ▶|| Button to pause, press again to resume.

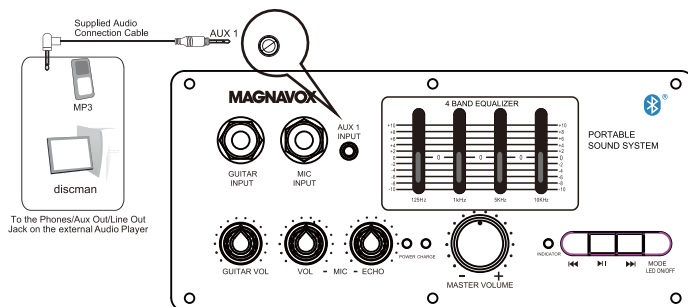
Antennas:

This unit has a built-in FM antenna, which provides adequate reception in most areas. If reception is weak, move the unit to a different location to improve reception.

AUX (In) 1:

Listen music from an external Audio Player such as a MP3 Player, Discman ...etc.

1. Connect one end of the supplied Audio Connection Cable to the Phones/AUX Out/LINE Out Jack on the external Audio Player.
2. Connect the other end of the cable to the AUX 1 INPUT Jack on front panel as the illustrated below:

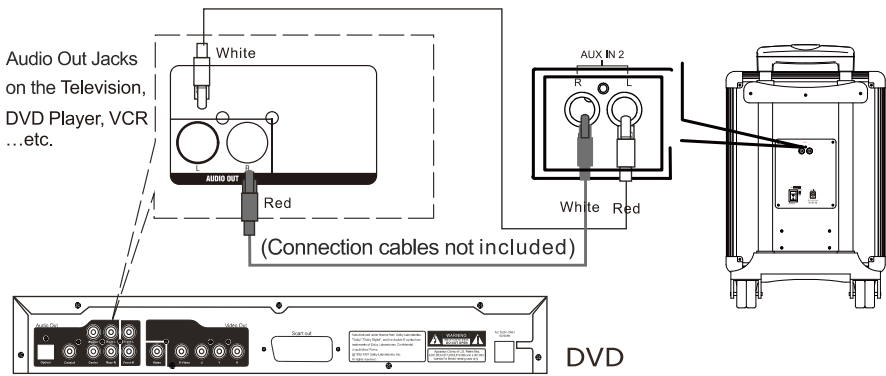


3. Power on the unit as previously instructed.
4. Press the MODE – LED ON/OFF Button repeatedly until the color of the INDICATOR on front panel turns to Red.
5. Play the music on the connected Audio Player as usual. (Make sure the volume level of the connected Audio Player is turned to high level.)

AUX (In) 2:

Listen music from an external Video/Audio Player such as a Television; DVD Player, VCR ...etc.

1. Connect one end of the RCA Connection Cable (Not included) to the Audio Out Jack on the external Video/Audio Player.
2. Connect the other end of the cable to the AUX 2 Jacks on the rear of unit as the illustrated follows:

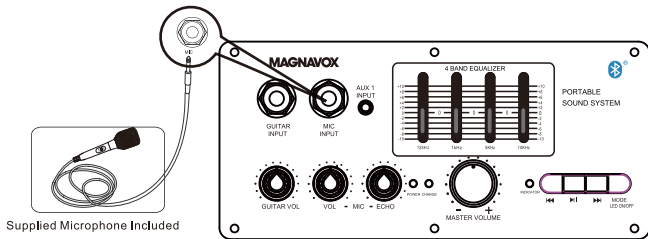


3. Power on the unit as previously instructed.
4. Press the MODE – LED ON/OFF Button repeatedly until the color of the INDICATOR on front panel turns to White.
5. Play the video/music on the connected Video/Audio Player as usual. (Make sure the volume level of the connected Video/Audio Player is turned to high level.)

SING WITH PLAYING MUSIC:

To sing with the playing music:

1. Power on the unit and play music in any mode as instructed earlier.
2. Connect the plug from the supplied Microphone to the MIC (Microphone) INPUT Jack on the front panel.
3. Turn the MIC VOL (Microphone Volume) Control Knob to adjust the sound level of microphone.
4. Turn the MIC ECHO (Microphone Echo Effect) Control Knob to adjust the echo effect of microphone.



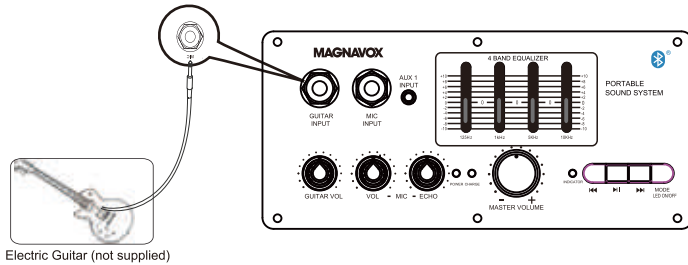
Note:

If feedback noise (high audio frequency noise) is sounding from the speakers, turn the MIC VOL (Microphone Volume) Knob counterclockwise to reduce the microphone volume level or move the Microphone away from the speakers.

PLAY ELECTRIC GUITAR WITH PLAYING MUSIC:

To play the Electric Guitar with the playing music:

1. Power on the unit and plays music in any modes as instructed earlier.
2. Connect the plug from Electric Guitar (Not included) to the GUITAR INPUT Jack on the front panel.
3. Turn the GUITAR VOL (Volume) Control Knob to adjust the sound level of Electric Guitar.

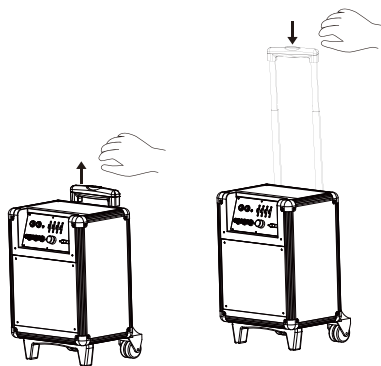


CLEANING:

1. To prevent fire or shock hazard, disconnect your unit from the AC wall outlet when cleaning.
2. The finish on your unit may be cleaned with a dust cloth and cared for as other furniture. Use caution when cleaning and wiping the plastic parts.
3. Mild soap and a damp cloth may be used.

CARRY HANDLE:

Press the button on the handle to release the lock then pull it out or back as the illustrated below:



TROUBLESHOOTING GUIDE

Check the follows before requesting service:

SYMPTOM	POSSIBLE CAUSE	POSSIBLE SOULTION
No power	Main Power Switch is in OFF position	Switch the Main Power Switch on the rear of unit to POWER ON position
	Built-in rechargeable battery drained	Recharge the built-in battery as page 5 or connect the supplied AC/DC adaptor to the unit and AC wall outlet
No sound	Volume level is in minimum position	Rise volume level by turning the MASTER VOLUME clockwise
	The connected/paired device is not in playback mode	Plays the audio/video files in the connected/paired device as usual
	Sound output of the connected/paired device weak	Rise the volume level of the connected /paired device
	Input source incorrect	Press the MODE - LED ON/OFF Button repeatedly to set or reset the playback mode as the connection
Sound distortion	Volume level too high	Reduce the volume level by turning the MASTER VOLUME Knob counterclockwise
	Volume level of the connected /paired device too high	Reduce the volume and/or bass level of the connected/paired device.
BT not function	The external BT device too far from the unit	Place the external BT device close to the unit
	The external BT device had NOT pair to the unit	Pair the external BT device to the unit as page 6 - 7
Built-in battery cannot be recharge	The AC/DC adaptor hadn't connect to DC IN Jack and AC wall outlet	Connect the AC/DC adaptor to the DC IN Jack and AC wall outlet

GENERAL SPECIFICATIONS:

Power Source: DC \equiv 15V, 2A, \ominus \oplus or built-in rechargeable DC \equiv 12V, 2600mAH (31.2 WH) Sealed Lead Acid battery (Recharge by DC \equiv 15V, 2A, \ominus \oplus through DC IN Jack)

Radio FM Band Coverage:..... 87.5 - 108MHz

BT Effective Range:.....Up to 32 Feet in open area

BT Version:..... 3.0

Audio Power:.....20W (RMS)

Impedance of Speakers:.....2 x 3 ohms, 15W

ACCESSORIES:

- 1 x Owner's Manual
- 1 x Audio Connection Cable with 3.5mm Stereo Mini Plugs
- 1 x AC/DC adaptor (Input: AC 100-240V~, 50/60Hz, 1.5A; Output: DC \equiv 15V, 2A, \ominus \oplus)
- 1 x Microphone

SPECIFICATIONS AND ACCESSORIES ARE SUBJECT TO CHANGE WITHOUT NOTICE

LIMITED WARRANTY

Craig Electronics Inc. warrants this product to be free from manufacturing defects in material and workmanship under normal use for a period of 180 days from date of purchase. If service is required, please return the product to the store where it was purchased for exchange; or, pack the unit in the original packing material with all accessories if applicable, a copy of your sales receipt and a Cashier's check or Money Order for \$15 (to cover shipping and handling costs) payable to Craig Electronics Inc. For consumers in Canada, please make sure that the cashier check or money order is redeemable through a U.S. bank. Ship your product freight pre-paid. Your unit will be repaired, replaced or if the unit can not be repaired or replaced, a refund will be forwarded to you within four weeks of receipt of your unit. Please ship your unit to:

Craig Electronics Inc.
1160 NW 163 Drive
Miami, FL 33169

This warranty is void if the product has been: a) Used in a commercial application or rental. b) Damaged through misuse, negligence, or abuse. c) Modified or repaired by anyone other than an authorized Craig Electronics Inc. service center. d) Damaged because it is improperly connected to any other equipment.

Note: This warranty does not cover: a) Ordinary adjustments as outlined in the Owner's Manual which can be performed by the customer. b) Damage to equipment not properly connected to the product. c) Any cost incurred in shipping the product for repair. d) Damage to the product not used in the USA.

This warranty is not transferable and only applies to the original purchase. Any implied warranties, including the warranty of merchantability, are limited in duration to the period of this expressed warranty and no warranty whether expressed or implied shall apply to the product thereafter.

Under no circumstance shall Craig Electronics Inc. be liable for any loss or consequential damage arising out of the use of this product. This warranty gives specific legal rights. However, you may have other rights which may vary from state to state. Some states do not allow limitations on implied warranties or exclusion of consequential damage. Therefore, these restrictions may not apply to you.

This product has been manufactured by and is sold under the responsibility of Craig Electronics Inc., and Craig Electronics Inc. is the warrantor in relation to this product. MAGNAVOX and SMART. VERY SMART are registered trademarks of Koninklijke Philips N.V. and are used under license from Koninklijke Philips N.V.

To Obtain Service on your Product
email: service@craigelectronics.com