



MAGNAVOX

STEREO PORTABLE SPEAKER
with Bluetooth® Wireless Technology

OWNER'S MANUAL

PLEASE READ BEFORE OPERATING THIS EQUIPMENT.

MODEL: MMA3680

Size: 148.5(W) x 210(H)mm (A5)



FCC NOTICE:

This equipment has been tested and found to comply with the limits for a Class B digital device, pursuant to Part 15 of the FCC Rules. These limits are designed to provide reasonable protection against harmful interference in a residential installation. This equipment generates, uses and can radiate radio frequency energy and, if not installed and used in accordance with the instructions, may cause harmful interference to radio communications. However, there is no guarantee that interference will not occur in a particular installation. If this equipment does cause harmful interference to radio or television reception, which can be determined by turning the equipment off and on, the user is encouraged to try to correct the interference by one or more of the following measures:

- Reorient or relocate the receiving antenna.
- Increase the separation between the equipment and receiver.
- Connect the equipment into an outlet on a circuit different from that to which the receiver is connected.
- Consult the dealer or an experienced radio/TV technician for help.

FCC STATEMENT:

This device complies with part 15 of the FCC Rules. Operation is subject to the following two conditions:

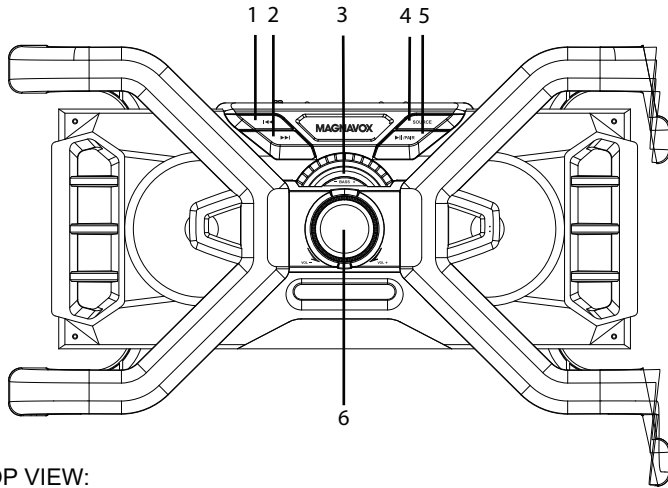
- (1) This device may not cause harmful interference, and
- (2) This device must accept any interference received, including interference that may cause undesired operation. The antenna(s) used for this transmitter must be installed to provide a separation distance of at least 20 cm from all persons and must not be co-located or operating in conjunction with any other antenna or transmitter.

FCC WARNING:

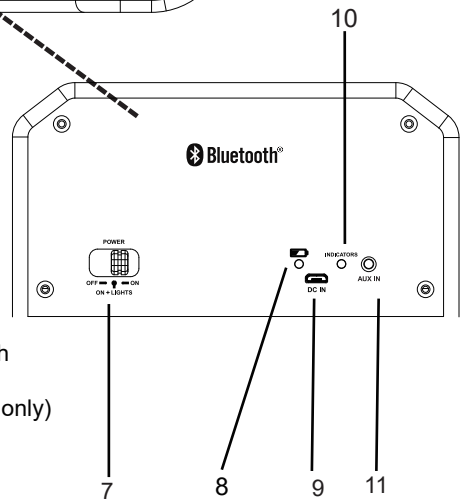
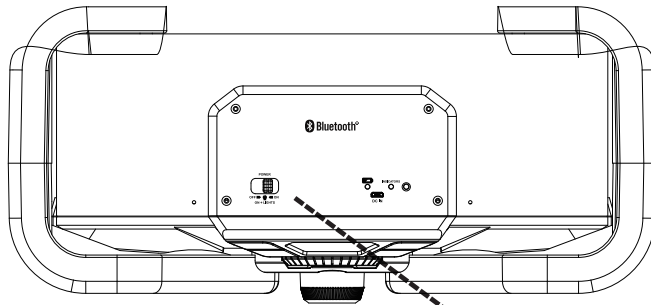
To assure continued operation, follow the attached installation instructions and use only shield cables when connecting to other devices. Changes or modifications not expressly approved by the party responsible for compliance could void the user's authority to operate the equipment.

LOCATION OF CONTROLS

FRONT VIEW:




TOP VIEW:

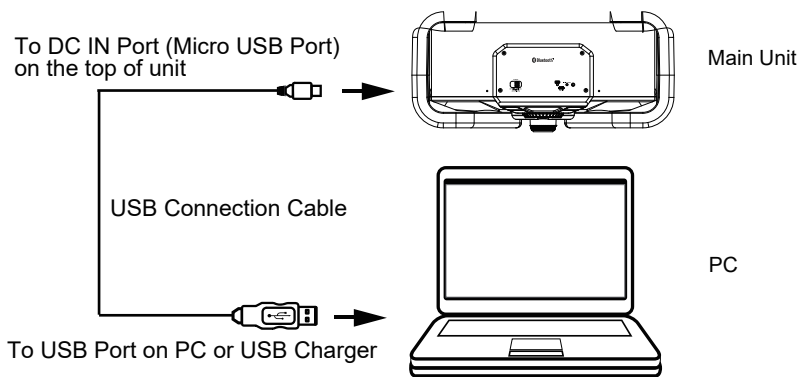


1. ◀◀ (Skip Backward) Button
2. ▶▶ (Skip Forward) Button
3. BASS Volume Control Knob
4. SOURCE Button
5. ▶|| (Play/Pause/Mute) Button
6. Volume Control Knob
7. Power (Decorative Lights) ON/OFF Switch
8. 🔴 Red Charging Indicator
9. DC IN Port (Micro USB Port, for charging only)
10. INDICATORS
11. AUX IN Jack

POWER SOURCE:

The unit has a built in Li-ion rechargeable battery, recharge it before use or when it is drained as follows:

1. Connect the Micro USB Plug from the supplied USB Connection Cable to the Micro USB Port on the top of unit.
2. Connect the full sized USB Plug from the supplied USB Connection Cable to the USB Port on the Personal Computer or USB Charger.
(Personal Computer and USB Charger NOT supplied).
3. When charging, the  Red Charging Indicator on the top of unit will illuminate. When finished, it will turn off.



NOTES:

Your battery will last longer if you're following these simple guidelines for caring and storing:

- A. Before first time use, charge it approximately 4 hours until the unit is fully charged.
- B. Recharge and store the unit within the temperature range of 5°C~35°C (40°F~95°F).
- C. Do not charge longer than 24 hours. Excessive charging or running the unit until battery fully drains will damage battery. Battery life will be extended if you keep the battery fully charged.
- D. Battery life naturally shortens slowly over time.
- E. The rechargeable battery incorporated in this product is not user replaceable.

OPERATION:

BT Mode:

BT (Bluetooth) pairing:

First time use or re-pairing the unit to a new BT Device, pair as follows:

1. Slide the Power (Decorative Lights) ON/OFF Switch to "ON + LIGHTS" position to power on the unit and the Decorative Lights.
2. Or, slide the Power (Decorative Lights) ON/OFF Switch to "ON" position to power on the unit only.)
3. The Blue Indicator on the top of unit will illuminate and blink.
4. Power on the external BT Device and enter to BT searching mode. Start pairing following the on screen instructions from the external BT Device. When paired, the Blue Indicator will stop blinking.
5. If pairing is complete you may now play music with your external BT Device.
6. During playback
 - Turn the Volume Control Knob to adjust volume level as desired.
 - Turn the BASS volume Control Knob to adjust bass level (low audio frequency) as desired.
 - Press the ►|| Button on the unit to pause, press again to resume normal playback.
 - Press and release the ◀◀ or ▶▶ Buttons repeatedly to skip tracks.
 - Slide the Power (Decorative Lights) ON/OFF Switch to "ON" position to turn off the Decorative Lights.
 - Slide the Power (Decorative Lights) ON/OFF Switch to "ON + LIGHTS" position to turn on the Decorative Lights.
 - If external audio device was connected to the unit through AUX IN (LINE IN) Jack, press the SOURCE Button on the top of unit to enter to AUX IN mode. The color of the Blue Indicator will turn to Green. Press again to turn back to BT mode, the color of the Green Indicator will turn to Blue.
7. When finished listening, slide the Power (Decorative Lights) ON/OFF Switch to "OFF" position to shut off the unit.

Notes:

- When the external BT Device searched the unit, our model number "MMA3680" will appear on the display of external BT Device.
- If while pairing you are asked for a code please try "0000" or "1234".

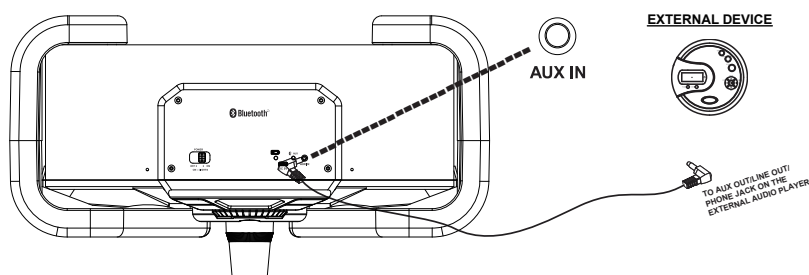
Normal operation after pairing:

1. Power on the external BT Device and enter to BT playback mode.
2. Power on the unit as previously instructed. The Blue Indicator on the top of unit will illuminate and blink.
3. Wait a few seconds until the unit is automatically paired to the external BT Device. The Blue Indicator will stop blinking.
4. After pairing is complete you may now play music with your external BT Device.

AUX IN (LINE IN):

To listen from an external Audio Player such as MP3 Player, Discman...etc.

1. In power off mode, connect one end of the supplied Audio Connection Cable to the AUX Out / Line Out / Phone Jack on the external Audio Player.
2. Connect the other end of the cable to the AUX IN Jack on the top of unit as illustrated below:



3. Slide the Power (Decorative Lights) ON/OFF Switch to “ON + LIGHTS” position to power on the unit and the Decorative Lights.
4. Or, slide the Power (Decorative Lights) ON/OFF Switch to “ON” position to power on the unit only.
5. The Blue Indicator on the top of unit will illuminate.
6. Press the SOURCE Button on the top of unit to enter to AUX IN mode, the color of the Blue Indicator will turn to Green.
7. Play the music from the connected Player as usual. (Make sure the volume level of the connected Audio Player is turned to high level.)
8. During playback:
 - Turn the Volume Control Knob to adjust volume level as desired.
 - Turn the BASS Volume Control Knob to adjust bass level (low audio frequency) as desired.
 - Press the ►|| Button on the unit to mute the sound, press again to turn the sound back.
 - Slide the Power (Decorative Lights) ON/OFF Switch to “ON” position to turn off the Decorative Lights.
 - Slide the Power (Decorative Lights) ON/OFF Switch to “ON + LIGHTS” position to turn on the Decorative Lights.
 - If external BT device was paired to the unit, press the SOURCE Button on the top of unit to enter to BT mode. The color of the Green Indicator will turn to Blue. Press again to turn back to AUX IN mode; the color of the Blue Indicator will turn to Green.
9. When finished listening, slide the Power (Decorative Lights) ON/OFF Switch to “OFF” position to shut off the unit.

TROUBLE SHOOTING GUIDIE

Check the following before requesting service:

SYMPTOM	POSSIBLE CAUSE	POSSIBLE SOLUTION
Can't power on	Built-in battery drained	Recharge the battery as page 4
	The unit in power off mode	Slide the Power (Decorative Lights) ON/OFF Switch to "ON + LIGHTS" or "ON" position to power on the unit. The Blue Indicator on the top of unit will illuminate
No sound or sound weak	Volume of the unit was set to minimum position	Increase the volume level by turn the Volume Control Knob clockwise
	Volume level of paired/connected device is in low level	Rise the volume level of the paired/connected device
Sound distortion	Volume level too high	Reduce the volume level by turn the Volume Control Knob counterclockwise
	Volume level of the paired/connected device too high	Reduce the volume level of the paired/connected device
BT not functioning	The external BT device had NOT paired to the unit	Pair the external BT device to the unit as page 5
	The external BT device too far from the unit	Place the external BT device close to the unit



SPECIFICATIONS:

Power source: Built-in DC --- 3.7 V, 1200 mAh (4.44 WH) rechargeable Li-ion
Battery Recharge by DC --- 5 V through DC IN Port (Micro
USB Port) on the top of unit

Impedance of the speakers:	2 x 5 W ; 2 ohm
Audio power:	3 W per Channel (Total 6 W, RMS)
BT Version:	4.1
BT Operation Distance:	\cong 32 Feet in open area

PACKAGE INCLUDES

1 x Owner's Manual
1 x USB Connection Cable (For charging only)
1 x Audio Connection Cables with 3.5mm Plugs

**SPECIFICATIONS AND ACCESSORIES ARE SUBJECT TO CHANGE
WITHOUT NOTICE**

LIMITED WARRANTY

Craig Electronics warrants this product to be free from manufacturing defects in material and workmanship under normal use for a period of 180 days from date of purchase. If service is required, please return the product to the store where it was purchased for exchange; or, pack the unit in the original packing material with all accessories if applicable, a copy of your sales receipt and a Cashier's check or Money Order for \$7 (to cover shipping and handling costs) payable to Craig Electronics Inc. For consumers in Canada, please make sure that the cashier check or money order is redeemable through a U.S. bank. Ship your product freight pre-paid. Your unit will be repaired, replaced or if the unit cannot be repaired or replaced, a refund will be forwarded to you within four weeks of receipt of your unit. Please ship your unit to:

Craig Electronics Inc.
1160 NW 163 Drive
Miami, FL 33169

This warranty is void if the product has been: a) Used in a commercial application or rental. b) Damaged through misuse, negligence, or abuse. c) Modified or repaired by anyone other than an authorized Craig service center. d) Damaged because it is improperly connected to any other equipment.

Note: This warranty does not cover: a) Ordinary adjustments as outlined in the Owner's Manual which can be performed by the customer. b) Damage to equipment not properly connected to the product. c) Any cost incurred in shipping the product for repair. d) Damage to the product not used in the USA.

This warranty is not transferable and only applies to the original purchase. Any implied warranties, including the warranty of merchantability, are limited in duration to the period of this expressed warranty and no warranty whether expressed or implied shall apply to the product thereafter.

Under no circumstance shall Craig be liable for any loss or consequential damage arising out of the use of this product. This warranty gives specific legal rights. However, you may have other rights which may vary from state to state. Some states do not allow limitations on implied warranties or exclusion of consequential damage. Therefore, these restrictions may not apply to you.

This product has been manufactured by and is sold under the responsibility of Craig Electronics Inc, and Craig Electronics Inc is the warrantor in relation to this product. MAGNAVOX and SMART. VERY SMART are registered trademarks of Koninklijke Philips N.V. and are used under license from Koninklijke Philips N.V.

To Obtain Service on your Product
email: service@craigelectronics.com